

# R2G FLUIDICS

*“Different in Quality”*

***Product Range***

# 2 Ways Direct Acting

## *Normally Closed*

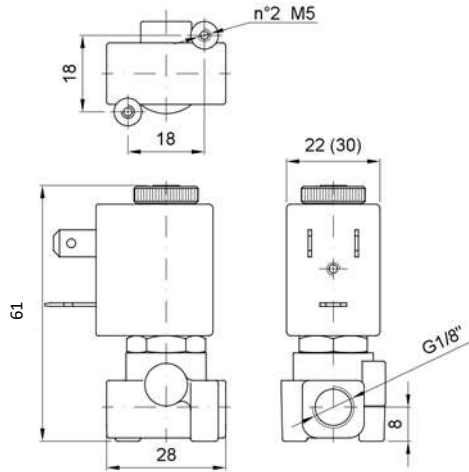
- *Compact: R2AB Serie*
- *General Service: R2AC Serie*
- *Flanged connection R2XC Serie*
- *Stainless Steel Body: R2IC Serie*



## *Normally Open*

- *Compact: R2AB Serie*
- *General Service: R2AC Serie*
- *Flanged connection R2XC Serie*



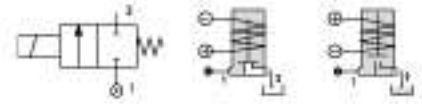


## 2/2 Serie R2AB Normally close

CODE	Connection G ISO 228	Orifice mm	Kv M <sup>3</sup> /h	Differential Pressure (bar)			Coil		Seal	Temp. Range °C
				Min	Max		Series	Width (mm)		
					AC	DC				
R2ABCAG#12/// Coil	1/8"	1.2	0.045	0	25	25	2800	22	NBR=B	-10 +90
R2ABCAG#15/// Coil		1.5	0.06	0	16	16				
R2ABCAG#20/// Coil		2.0	0.09	0	12	10				
R2ABCAG#25/// Coil		2.5	0.15	0	8	6				
R2ABCAG#30/// Coil		3.0	0.20	0	5	3				
R2ABCAG#40/// Coil		4.0	0.35	0	4	2				
R2ABCAG#20/// Coil	1/8"	2.0	0.09	0	25	15	3A00	30	FPM=V	-10 +160
R2ABCAG#25/// Coil		2.5	0.15	0	16	8				
R2ABCAG#30/// Coil		3.0	0.20	0	8	5				
R2ABCAG#40/// Coil		4.0	0.35	0	5	3				

# : Please select the sealing type required  
Example: R2ABAGB25///2801: ISO G1/8"NBR  
Coil 24V DC 7W

Note: For Industrial Oxygen use application FKM sealing have to be used and Max pressure is limited to 25 bar  
Example: R2ABAGV25/0/2801 G1/8" 2.5mm FKM 24VDC



### DESCRIPTION

- Solenoid valve 2 ways, direct acting type.
- Brass body CW617N.
- Switching-On time 15ms.
- Switching-Off time 20ms.

### CONSTRUCTION

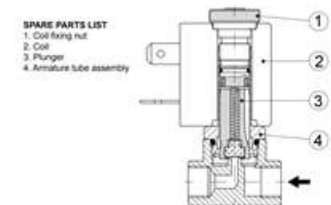
- Body: Brass CW614N
- Armature tube: Brass CW614N
- Plunger and core: Stainless steel - 430F
- Springs: Stainless steel - Aisi 302
- Seal material: NBR - FPM - EPDM

### FEATURES

- Maximum allowable pressure: 45bar\*
- Maximum fluid viscosity: 27cSt (mm<sup>2</sup>/s)
- Ambient temperature:  
Class F coil -10°C +55°C  
Class H coil -10°C +80°C
- Above 80°C please consult our tech department for the application fine tuning
- Universal mounting

### OPTIONS

- Manual override
- Degreased for Industrial Oxygen use
- Electroless nickel plating
- Others on request

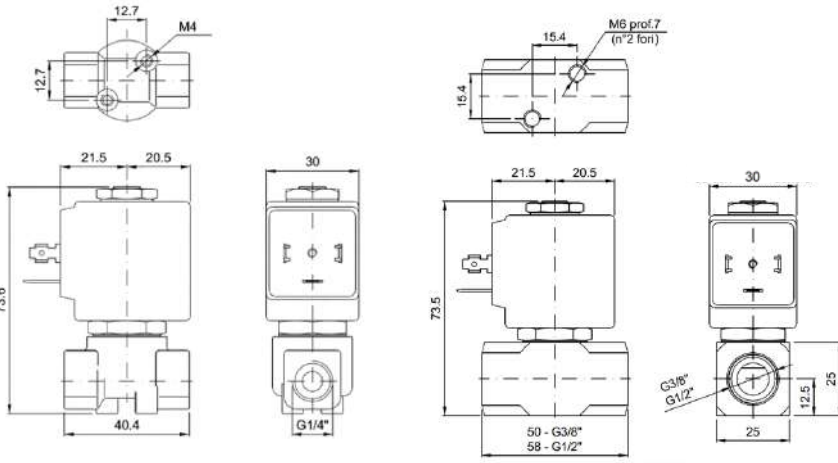


### SPARE PARTS

1. Coil fixing nut
2. Coil
3. Mobile plunger assembly
4. Armature tube kit

### Coils

SERIE	Coil P/N	Voltage	Nominal Power			Electrical connection	Connectors
			AC VA Inrush	AC VA Holding	DC Watt		
Series 2800 Width 22mm	2801	24 DC	-	-	7	Industrial Standard 22 mm	On Demand
	280B	24 AC	11,5	9	-		
	280D	110 AC	11,5	9	-		
	280E	230 AC	11,5	9	-		
Series 3A00 Width 30mm	3A01	24 DC	-	-	8	DIN 43650A	On Demand
	3A0B	24 AC	11	8,5	-		
	3A0E	230 AC	11	8,5	-		



## 2/2 Serie R2AC Normally Close

CODE	Connection G ISO 228	Orifice mm	Kv m³/h	Differential Pressure (bar)		Coil		Seal	Temp. Range °C	
				Min	Max	Series	Width (mm)			
R2ACCG#12/// Coil	1/8"	1.2	0.05	0	100	3000	30	NBR=B	-10 +90	
R2ACCG#15/// Coil		1.5	0.07	0	30					25
R2ACCG#20/// Coil		2	0.1	0	22					20
R2ACCG#25/// Coil		2.5	0.15	0	16					15
R2ACCG#30/// Coil		3	0.25	0	15					10
R2ACCG#35/// Coil		3.5	0.32	0	10					8
R2ACCBG#12/// Coil	1/4"	1.2	0.05	0	100	3000	30	EPDM=E	-10 +160	
R2ACCBG#15/// Coil		1.5	0.07	0	30					25
R2ACCBG#20/// Coil		2	0.1	0	22					20
R2ACCBG#25/// Coil		2.5	0.15	0	16					15
R2ACCBG#30/// Coil		3	0.25	0	15					10
R2ACCBG#35/// Coil		3.5	0.32	0	10					8
R2ACCBG#45/// Coil	3/8"	4.5	0.41	0	7	3000	30	FPM=V	-10 +160	
R2ACCBG#52/// Coil		5.2	0.47	0	4					1.8
R2ACCG#30/// Coil		3	0.25	0	15					10
R2ACCG#35/// Coil		3.5	0.32	0	10					8
R2ACCG#40/// Coil		4	0.36	0	8					5
R2ACCG#45/// Coil		4.5	0.41	0	6					4
R2ACCG#52/// Coil	1/2"	5.2	0.47	0	4	3000	30	PTFE=P	-10 +180	
R2ACCDG#30/// Coil		3	0.25	0	15					10
R2ACCDG#35/// Coil		3.5	0.32	0	10					8
R2ACCDG#40/// Coil		4	0.36	0	8					5
R2ACCDG#45/// Coil		4.5	0.41	0	6					4
R2ACCDG#52/// Coil		5.2	0.47	0	4					1.8

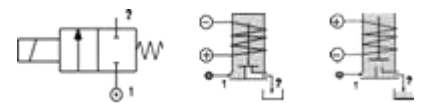
# : Please select the sealing type required  
Example: R2ACCBG25///3001: ISO G1/4"NBR  
Coil 24V DC 10W

REMARK: The maximum allowable pressure PS for steam is 10bar with PTFE seals and 2,5bar with EPDM

Note: For Industrial Oxygen use application use FKM seals and max pressure is limited to 25bar.  
Example: R2ACCBG35/Q/3001 G1/4" 3,5mm FKM 24V DC 10W

### Coils

SERIE	Coil P/N	Voltage	Nominal Power			Electrical connection	Connectors
			AC VA Inrush	AC VA Holding	DC Watt		
Series 3000 Width 30mm	3001	24DC	-	-	10	DIN 43650A	On Demand
	300B	24 AC	15	12	-		
	300E	230 AC	15	12	-		



### DESCRIPTION

- Solenoid valve 2 ways, direct acting type.
- Brass body CW617N.
- Switching-On time 18ms.
- Switching-Off time 23ms.

### CONSTRUCTION

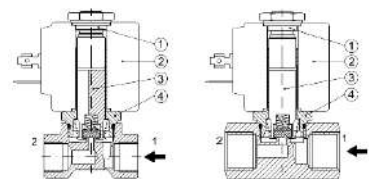
- Body: Brass CW614N
- Armature tube: Stainless steel Aisi 303
- Plunger and core: Stainless steel 430Fr
- Springs: Stainless steel Aisi 302
- Seal material: NBR - FPM - EPDM - PTFE

### FEATURES

- Maximum allowable pressure: 45bar\*
- Maximum fluid viscosity: 27cSt (mm2/s)
- Ambient temperature:  
with class F coil -10°C +55°C  
with class H coil -10°C +80°C
- Above 80°C please consult our tech department for the application fine tuning
- Universal mounting position

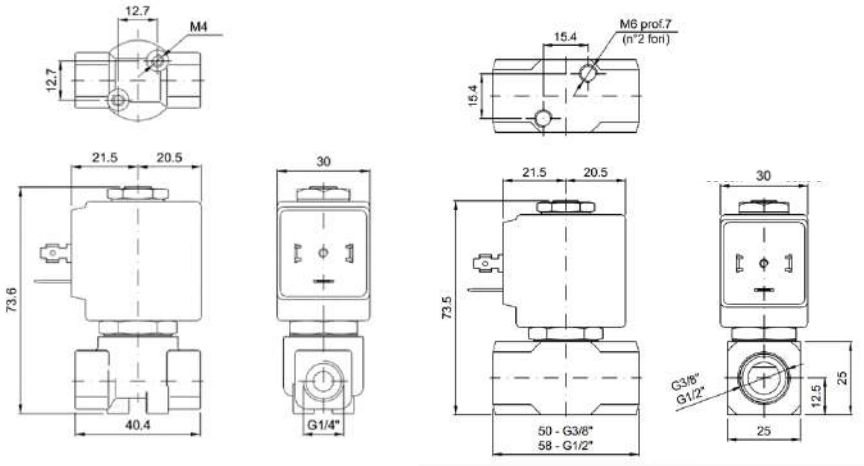
### OPTIONS

- Manual override
- /R: Stainless steel orifice (up to 4,5mm orifice)
- Degreased for Industrial Oxygen use
- Electroless nickel plating
- Others on request



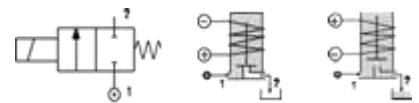
### SPARE PARTS

1. Coil fixing nut
2. Coil
3. Mobile plunger assembly
4. Armature tube kit



**2/2 Serie R2AC Normally Close**

CODE	Connection G ISO 228	Orifice mm	Kv m³/h	Differential Pressure (bar)		Coil		Seal	Temp. Range °C
				Min	Max	Series	Width (mm)		
R2ACCAG#12/// Coil	1/8"	1.2	0.05	0	100	3600	36	NBR=B	-10 +90
R2ACCAG#15/// Coil		1.5	0.07	0	80				
R2ACCAG#20/// Coil		2	0.1	0	50				
R2ACCAG#25/// Coil		2.5	0.15	0	35				
R2ACCAG#35/// Coil		3.5	0.32	0	20				
R2ACCBG#12/// Coil	1/4"	1.2	0.05	0	100	3600	36	EPDM=E	-10 +160
R2ACCBG#15/// Coil		1.5	0.07	0	80				
R2ACCBG#20/// Coil		2	0.1	0	50				
R2ACCBG#25/// Coil		2.5	0.15	0	35				
R2ACCBG#35/// Coil		3.5	0.32	0	20				
R2ACCBG#45/// Coil	3/8"	4.5	0.41	0	14	3600	36	FPM=V	-10 +160
R2ACCBG#52/// Coil		5.2	0.47	0	10				
R2ACCCG#30/// Coil		3	0.25	0	25				
R2ACCCG#35/// Coil		3.5	0.32	0	20				
R2ACCCG#40/// Coil		4	0.36	0	16				
R2ACCCG#45/// Coil	1/2"	4.5	0.41	0	14	3600	36	PTFE=P	-10 +180
R2ACCCG#52/// Coil		5.2	0.47	0	10				
R2ACCDG#30/// Coil		3	0.25	0	25				
R2ACCDG#35/// Coil		3.5	0.32	0	20				
R2ACCDG#40/// Coil		4	0.36	0	16				
R2ACCDG#45/// Coil	1/2"	4.5	0.41	0	14	3600	36	PTFE=P	-10 +180
R2ACCDG#52/// Coil		5.2	0.47	0	10				



**DESCRIPTION**

- Solenoid valve 2 ways, direct acting type.
- Brass body CW617N.
- Switching-On time 18ms.
- Switching-Off time 23ms.

**CONSTRUCTION**

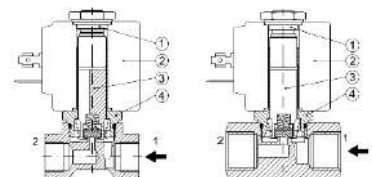
- Body: Brass CW614N
- Armature tube: Stainless steel Aisi 303
- Plunger and core: Stainless steel 430Fr
- Springs: Stainless steel Aisi 302
- Seal material: NBR - FPM - EPDM - PTFE

**FEATURES**

- Maximum allowable pressure: 45bar\*
- Maximum fluid viscosity: 27cSt (mm2/s)
- Ambient temperature:
  - with class F coil -10°C +55°C
  - with class H coil -10°C +80°C
- Above 80°C please consult our tech department for the application fine tuning
- Universal mounting position

**OPTIONS**

- Manual override
- /R: Stainless steel orifice (up to 4,5mm orifice)
- Degreased for Industrial Oxygen use
- Electroless nickel plating
- Others on request



**SPARE PARTS**

1. Coil fixing nut
2. Coil
3. Mobile plunger assembly
4. Armature tube kit

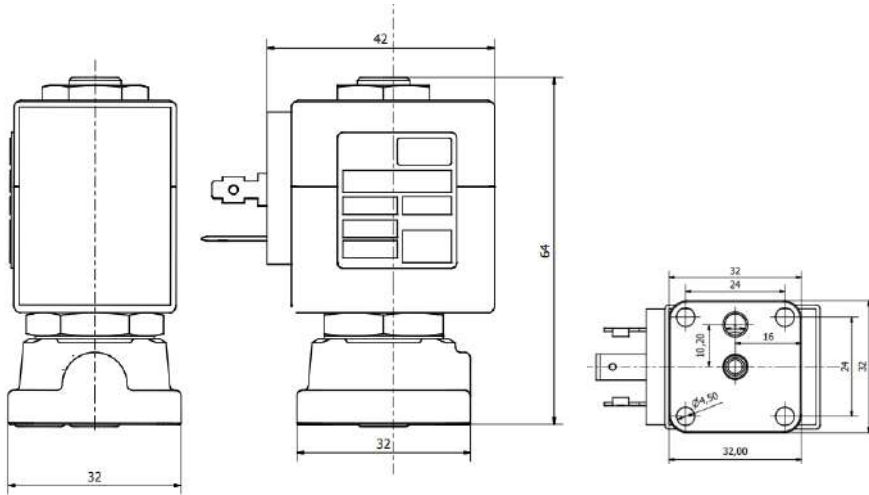
# : Please select the sealing type required  
Example: R2ACCBG25///3601: ISO G1/4"NBR  
Coil 24V DC 27W

REMARK: The maximum allowable pressure PS for steam is 10bar with PTFE seals and 2,5bar with EPDM

Note: For Industrial Oxygen use application use FKM seals and max pressure is limited to 25bar.  
Example: R2ACCBG35/D/3601 G1/4" 3,5mm FKM  
24V DC 27W

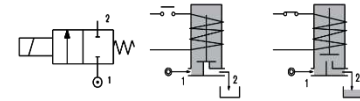
**Coils**

SERIE	Coil P/N	Voltage	Nominal Power			Electrical connection	Connectors
			AC VA Inrush	AC VA Holding	DC Watt		
Series 3600 Width 36mm	3601	24DC	-	-	24	DIN 43650A	On Demand
	360B	24 AC	30	24	-		
	360E	230 AC	30	24	-		



## 2/2 Serie R2XC Normally Close

CODE	Connection G ISO 228	Orifice mm	Kv m³/h	Differential Pressure (bar)			Coil		Seal	Temp. Range °C
				Min	Max AC DC		Series	Width (mm)		
R2XCCXG#12/// Coil	Sub Base	1.2	0.05	0	100	100	3000	30	NBR=B	-10 +90
R2XCCXG#15/// Coil		1.5	0.07	0	30	25			EPDM=E	-10 +160
R2XCCXG#20/// Coil		2	0.1	0	22	20			FPM=V	-10 +160
R2XCCXG#25/// Coil		2.5	0.15	0	16	15			PTFE	-40 +180



### DESCRIPTION

- Solenoid valve 2 ways, direct acting type.
- Brass body CW617N.
- Switching-On time 18ms.
- Switching-Off time 23ms.

### CONSTRUCTION

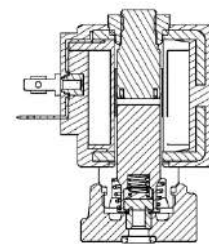
- Body: Brass CW614N
- Armature tube: Stainless steel Aisi 303
- Plunger and core: Stainless steel 430Fr
- Springs: Stainless steel Aisi 302
- Seal material: NBR - FPM - EPDM - PTFE

### FEATURES

- Maximum allowable pressure: 45bar\*
- Maximum fluid viscosity: 27cSt (mm²/s)
- Ambient temperature:  
with class F coil -10°C +55°C  
with class H coil -10°C +80°C
- Above 80°C please consult our tech department for the application fine tuning
- Universal mounting position

### OPTIONS

- Manual override
- Electroless nickel plating
- Others on request



### SPARE PARTS

1. Coil fixing nut
2. Coil
3. Mobile plunger assembly
4. Armature tube kit

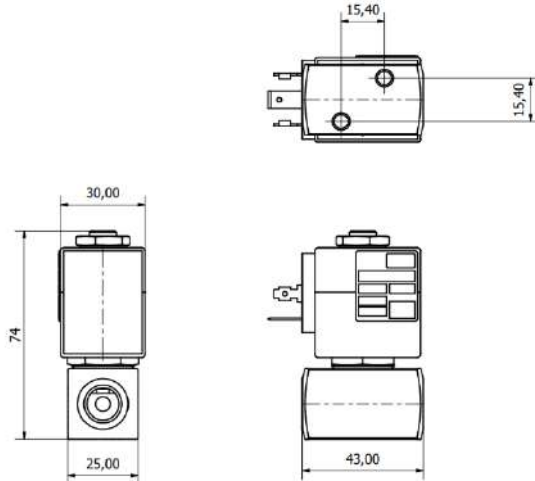
# : Please select the sealing type required  
Example: R2XCCXGB15///3001: ISO G1/4"NBR  
Coil 24V DC 10W

REMARK: The maximum allowable pressure PS for steam is 6bar with PTFE seals and 2,5bar with EPDM

Note: For Industrial Oxygen use application use FKM seals and max pressure is limited to 25bar.  
Example: R2XCCXGV35/D/3001 G1/4" 3,5mm FKM 24V DC 10W

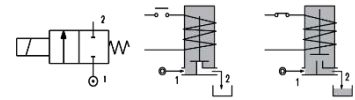
### Coils

SERIE	Coil P/N	Voltage	Nominal Power			Electrical connection	Connectors
			AC VA Inrush	AC VA Holding	DC Watt		
Series 3000 Width 30mm	3001	24DC	-	-	10	DIN 43650A	On Demand
	300B	24 AC	15	12	-		
	300E	230 AC	15	12	-		



## Serie R2IC Normally Closed

CODE	Connection	Orifice	Kv	Differential Pressure (bar)		Coil		Seal	Temp. Range	
				Min	Max	Series	Width (mm)			
	G	mm	m <sup>3</sup> /h	AC	DC				°C	
R2ICCBG#15/// Coil	1/4"	1.5	0.07	0	30	3000	30	NBR=B	-10 +90	
R2ICCBG#20/// Coil		2	0.1	0	22					20
R2ICCBG#25/// Coil		2.5	0.15	0	16					14
R2ICCBG#35/// Coil		3.5	0.32	0	10					8
R2ICCBG#45/// Coil		4.5	0.41	0	6.5					3.5
R2ICCBG#52/// Coil		5.2	0.47	0	4					1.8
R2ICCCG#30/// Coil	3/8"	3	0.25	0	15			10	EPDM=E	-10 +160
R2ICCCG#35/// Coil		3.5	0.32	0	10			8		
R2ICCCG#40/// Coil		4	0.36	0	8			5	FPM=V	-10 +160
R2ICCCG#45/// Coil		4.5	0.41	0	6.5			3.5		
R2ICCCG#52/// Coil		5.2	0.47	0	4			1.8		
R2ICCDG#30/// Coil	1/2"	3	0.25	0	15			10	PTFE = P	-40 +180
R2ICCDG#35/// Coil		3.5	0.32	0	10			8		
R2ICCDG#40/// Coil		4	0.36	0	8			5		
R2ICCDG#45/// Coil		4.5	0.41	0	6.5			3.5		
R2ICCDG#52/// Coil		5.2	0.47	0	4			1.8		



### DESCRIPTION

- Solenoid valve 2 ways, direct acting type.
- Stainless Steel AISI 303.
- Switching-On time 18ms.
- Switching-Off time 23ms.

### CONSTRUCTION

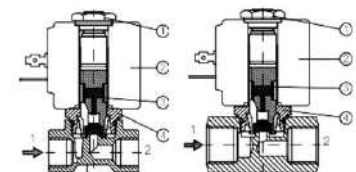
- Body: Stainless Steel AISI 303
- Armature tube: Stainless steel Aisi 303
- Plunger and core: Stainless steel 430Fr
- Springs: Stainless steel Aisi 302
- Seal material: NBR - FPM - EPDM - PTFE

### FEATURES

- Maximum allowable pressure: 45bar\*
- Maximum fluid viscosity: 27cSt (mm<sup>2</sup>/s)
- Ambient temperature:
  - with class F coil -10°C +55°C
  - with class H coil -10°C +80°C
- Above 80°C please consult our tech department for the application fine tuning
- Universal mounting position

### OPTIONS

- Manual override
- Degreased for Industrial Oxygen use
- /B: Back pressure resistant (for more details ask our tech. dept.)
- Others on request



### SPARE PARTS

1. Coil fixing nut
2. Coil
3. Mobile plunger assembly
4. Armature tube kit

# : Please select the sealing type required  
Example: R2ICCBG25///3001: ISO G1/4"NBR  
Coil 24V DC 10W

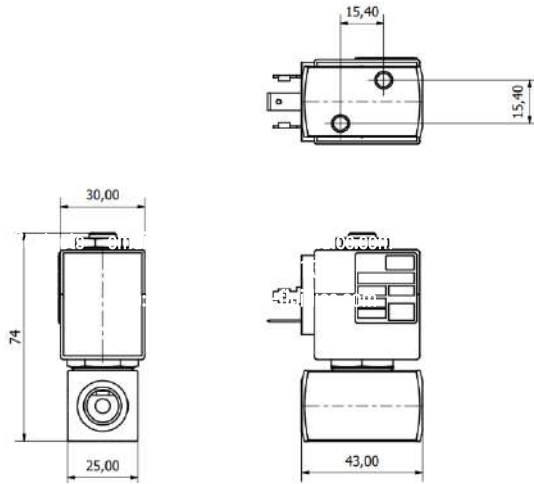
REMARK: The maximum allowable pressure PS for steam is 6bar with PTFE seals and 2,5bar with EPDM

Note: For Industrial Oxygen use application use FKM seals and max pressure is limited to 25bar.  
Example: R2ICCBGV35/Q/3001 G1/4" 3,5mm FKM  
24V DC 10W

### Coils

SERIE	Product Serie	Voltage	Nominal Power			Electrical connection	Connectors
			AC VA Inrush	AC VA Holding	DC Watt		
Series 3000 Width 30mm	3001	24DC	-	-	10	DIN 43650A	On Demand
	300B	24 AC	15	12	-		
	300E	230 AC	15	12	-		





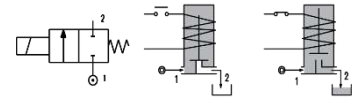
### Serie R2IC Normally Closed

CODE	Connection	Orifice	Kv	Differential Pressure (bar)		Coil		Seal	Temp. Range
				Min	Max	Series	Width (mm)		
				AC	DC				
R2ICCBG#15/// Bob.	1/4"	1.5	0.07	0	80	3600	36	NBR=B	-10 +90
R2ICCBG#20/// Bob.		2	0.1	0	50				
R2ICCBG#25/// Bob.		2.5	0.15	0	35				
R2ICCBG#35/// Bob.		3.5	0.32	0	20				
R2ICCBG#45/// Bob.		4.5	0.41	0	14				
R2ICCBG#52/// Bob.	5.2	0.47	0	10	EPDM=E			-10 +160	
R2ICCCG#30/// Bob.	3/8"	3	0.25	0					25
R2ICCCG#35/// Bob.		3.5	0.32	0					20
R2ICCCG#45/// Bob.		4.5	0.41	0					14
R2ICCCG#52/// Bob.		5.2	0.47	0					10
R2ICCDG#30/// Bob.	1/2"	3	0.25	0	25			PTFE = P	-40 +180
R2ICCDG#35/// Bob.		3.5	0.32	0	20				
R2ICCDG#45/// Bob.		4.5	0.41	0	14				
R2ICCDG#52/// Bob.		5.2	0.47	0	10				

# : Please select the sealing type required  
Example: R2ICCBG25///3601: ISO G1/4"NBR  
Coil 24V DC 24W

REMARK: The maximum allowable pressure PS for steam is 6bar with PTFE seals and 2.5bar with EPDM

Note: For Industrial Oxygen use application use FKM seals and max pressure is limited to 25bar.  
Example: R2ICCBGV35/Q/3601 G1/4" 3,5mm FKM  
24V DC 24W



#### DESCRIPTION

- Solenoid valve 2 ways, direct acting type.
- Stainless Steel AISI 303.
- Switching-On time 18ms.
- Switching-Off time 23ms.

#### CONSTRUCTION

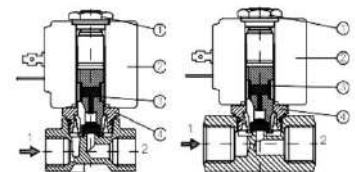
- Body: Stainless Steel AISI 303
- Armature tube: Stainless steel Aisi 303
- Plunger and core: Stainless steel 430Fr
- Springs: Stainless steel Aisi 302
- Seal material: NBR - FPM - EPDM - PTFE

#### FEATURES

- Maximum allowable pressure: 45bar\*
- Maximum fluid viscosity: 27cSt (mm<sup>2</sup>/s)
- Ambient temperature:  
with class F coil -10°C +55°C  
with class H coil -10°C +80°C
- Above 80°C please consult our tech department for the application fine tuning
- Universal mounting position

#### OPTIONS

- Manual override
- Degreased for Industrial Oxygen use
- /B: Back pressure resistant (for more details ask our tech. dept.)
- Others on request



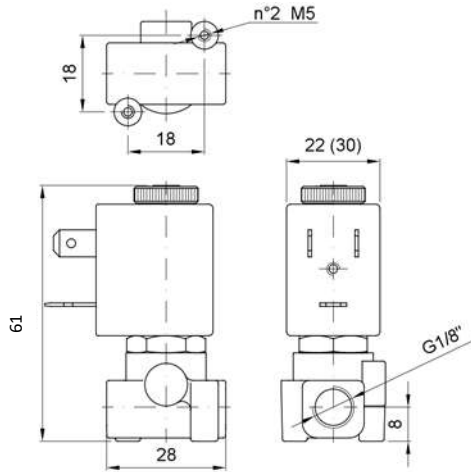
#### SPARE PARTS

1. Coil fixing nut
2. Coil
3. Mobile plunger assembly
4. Armature tube kit

#### Coils

SERIE	Product Serie	Voltage	Nominal Power			Electrical connection	Connectors
			AC VA Inrush	AC VA Holding	DC Watt		
Series 3600 Width 36mm	3601	24DC	-	-	24	DIN 43650A	On Demand
	360B	24 AC	30	24	-		
	360E	230 AC	30	24	-		





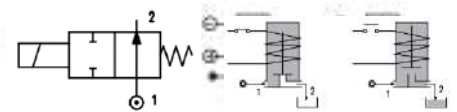
## 2/2 Serie R2AB Normally open

CODE	Connection G ISO 228	Orifice mm	Kv M <sup>3</sup> /h	Differential Pressure (bar)			Coil		Seal	Temp. Range °C
				Min	Max		Series	Width (mm)		
					AC	DC				
R2ABAAG#12/// Coil	1/8"	1.2	0.04	0	18	18	2200	22	NBR=B	-10 +90
R2ABAAG#15/// Coil		1.5	0.06	0	14	14			EPDM=E	-10 +160
R2ABAAG#20/// Coil		2.0	0.09	0	8	8			FPM=V	-10 +160
R2ABAAG#25/// Coil		2.5	0.15	0	4	4				
R2ABAAG#30/// Coil		3.0	0.20	0	2.5	2.5				

# : Please select the sealing type required  
 Example: R2ABAAGB25///2801: ISO G1/8"NBR  
 Coil 24V DC 7W

### Coils

SERIE	Coil P/N	Voltage	Nominal Power			Electrical connection	Connectors
			AC VA Inrush	AC VA Holding	DC Watt		
Series 2800 Width 22mm	2801	24 DC	-	-	7	Industrial Standard 22 mm	On Demand
	280B	24 AC	11,5	9	-		
	280D	110 AC	11,5	9	-		
	280E	230 AC	11,5	9	-		



### DESCRIPTION

- Solenoid valve 2 ways, direct acting type.
- Brass body CW617N.
- Switching-On time 25ms.
- Switching-Off time 10ms.

### CONSTRUCTION

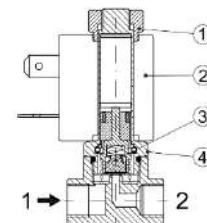
- Body: Brass CW617N
- Armature tube: Brass CW614N
- Plunger and core: Stainless steel - 430Fr
- Springs: Stainless steel - Aisi 302
- Seal material: NBR - FPM - EPDM

### FEATURES

- Maximum allowable pressure: 45bar\*
- Maximum fluid viscosity: 25cSt (mm<sup>2</sup>/s)
- Ambient temperature:  
 Class F coil -10°C +55°C  
 Class H coil -10°C +80°C
- Above 80°C please consult our tech department for the application fine tuning
- Universal mounting

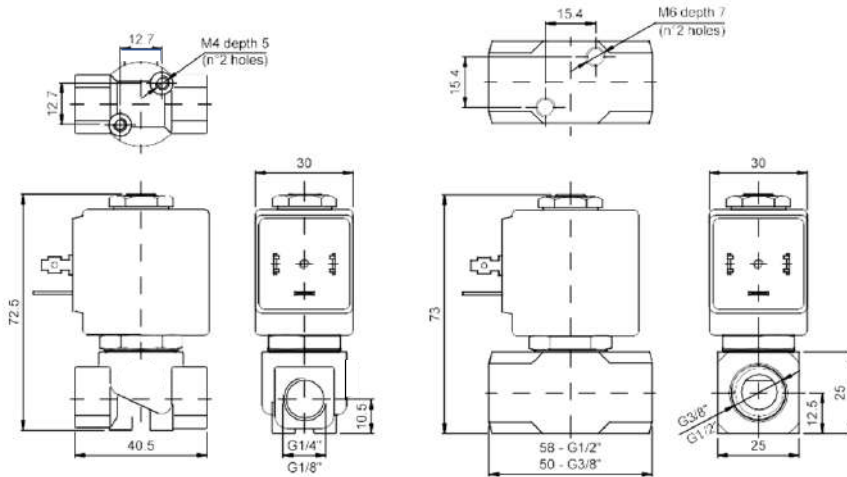
### OPTIONS

- Electroless nickel plating
- Others on request



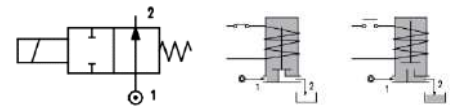
### SPARE PARTS

1. Coil fixing nut
2. Coil
3. Mobile plunger assembly
4. Armature tube kit



## 2/2 Serie R2AC Normally Open

CODE	Connection G ISO 228	Orifice mm	Kv m³/h	Differential Pressure (bar)			Coil		Seal	Temp. Range °C			
				Min	Max		Series	Width (mm)					
				AC	DC								
R2ACAAG#15/// Coil	1/8"	1.5	0.07	0	24	24	3000	30	NBR=B	-10 +90			
R2ACAAG#20/// Coil		2	0.1	0	18	18							
R2ACAAG#25/// Coil		2.5	0.15	0	12	12							
R2ACAAG#30/// Coil		3.0	0.25	0	9	9							
R2ACAAG#35/// Coil		3.5	0.32	0	7	7							
R2ACABG#15/// Coil	1/4"	1.5	0.07	0	24	24		3000	30	EPDM=E	-10 +160		
R2ACABG#20/// Coil		2	0.1	0	18	18							
R2ACABG#25/// Coil		2.5	0.15	0	12	12							
R2ACABG#30/// Coil		3.0	0.25	0	9	9							
R2ACABG#35/// Coil		3.5	0.32	0	7	7							
R2ACABG#45/// Coil	3/8"	4.5	0.41	0	5	5			3000	30	FPM=V	-10 +160	
R2ACABG#52/// Coil		5.2	0.47	0	4	4							
R2ACAG#30/// Coil		3	0.25	0	9	9							
R2ACAG#35/// Coil	1/2"	3.5	0.32	0	7	7				3000	30	FPM=V	-10 +160
R2ACAG#45/// Coil		4.5	0.41	0	5	5							
R2ACAG#52/// Coil		5.2	0.47	0	4	4							
R2ACADG#30/// Coil	1/2"	3	0.25	0	9	9	3000				30	FPM=V	-10 +160
R2ACADG#35/// Coil		3.5	0.32	0	7	7							
R2ACADG#45/// Coil		4.5	0.41	0	5	5							
R2ACADG#52/// Coil		5.2	0.47	0	4	4							



### DESCRIPTION

- Solenoid valve 2 ways, direct acting type.
- Brass body CW617N.
- Switching-On time 25ms.
- Switching-Off time 10ms.

### CONSTRUCTION

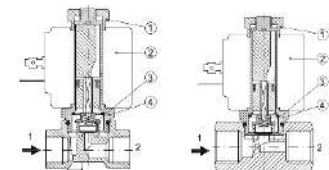
- Body: Brass CW614N
- Armature tube: Stainless steel Aisi 303
- Plunger and core: Stainless steel 430Fr
- Springs: Stainless steel Aisi 302
- Seal material: NBR - FPM - EPDM

### FEATURES

- Maximum allowable pressure: 45bar\*
- Maximum fluid viscosity: 27cSt (mm²/s)
- Ambient temperature:
  - with class F coil -10°C +55°C
  - with class H coil -10°C +80°C
- Above 80°C please consult our tech department for the application fine tuning
- Universal mounting position

### OPTIONS

- Electroless nickel plating
- Others on request



### SPARE PARTS

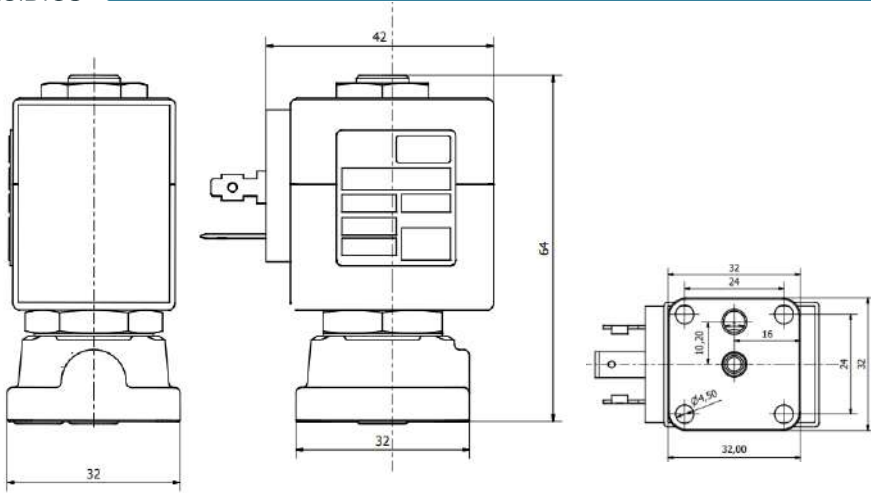
1. Coil fixing nut
2. Coil
3. Mobile plunger assembly
4. Armature tube kit

# : Please select the sealing type required  
 Example: R2ACABG25///3001: ISO G1/4"NBR  
 Coil 24V DC 10W

\*REMARK: The maximum allowable pressure PS for steam is 6bar with PTFE seals and 2,5bar with EPDM seals

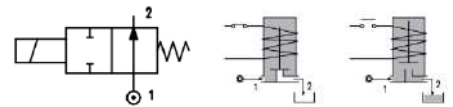
### Coils

SERIE	Coil P/N	Voltage	Nominal Power			Electrical connection	Connectors
			AC VA Inrush	AC VA Holding	DC Watt		
Series 3000 Width 30mm	3001	24DC	-	-	10	DIN 43650A	On Demand
	300B	24 AC	15	12	-		
	300D	110 AC	15	12	-		
	300E	230 AC	15	12	-		



## 2/2 Serie R2XC Normally Open

CODE	Connection G ISO 228	Orifice mm	Kv m³/h	Differential Pressure (bar)			Coil		Seal	Temp. Range °C
				Min	Max		Series	Width (mm)		
				AC	DC					
R2XCAXG#15/// Bob.	A Basetta	1.5	0.07	0	24	24	3000	30	NBR=B	-10 +90
R2XCAXG#20/// Bob.		2	0.1	0	18	18			EPDM=E	-10 +160
R2XCAXG#25/// Coil		2.5	0.15	0	12	12			FPM=V	-10 +160



### DESCRIPTION

- Solenoid valve 2 ways, direct acting type.
- Brass body CW617N.
- Switching-On time 25ms.
- Switching-Off time 10ms.

### CONSTRUCTION

- Body: Brass CW614N
- Armature tube: Stainless steel Aisi 303
- Plunger and core: Stainless steel 430Fr
- Springs: Stainless steel Aisi 302
- Seal material: NBR - FPM - EPDM

### FEATURES

- Maximum allowable pressure: 45bar\*
- Maximum fluid viscosity: 27cSt (mm2/s)
- Ambient temperature:
  - with class F coil -10°C +55°C
  - with class H coil -10°C +80°C
- Above 80°C please consult our tech department for the application fine tuning
- Universal mounting position

### OPTIONS

- Electroless nickel plating
- Others on request

### SPARE PARTS

1. Coil fixing nut
2. Coil
3. Mobile plunger assembly
4. Armature tube kit

# : Please select the sealing type required  
 Example: R2XCAXGB25///3001: ISO G1/4"NBR  
 Coil 24V DC 10W

\*REMARK: The maximum allowable pressure PS for steam is 6bar with PTFE seals and 2,5bar with EPDM seals

### Coils

SERIE	Coil P/N	Voltage	Nominal Power			Electrical connection	Connectors
			AC VA Inrush	AC VA Holding	DC Watt		
Series 3000 Width 30mm	3001	24DC	-	-	10	DIN 43650A	On Demand
	300B	24 AC	15	12	-		
	300E	230 AC	15	12	-		

# 2 Ways Indirect Acting

## *Normally Closed*

- *General Service: R2SP-R2SR Serie*



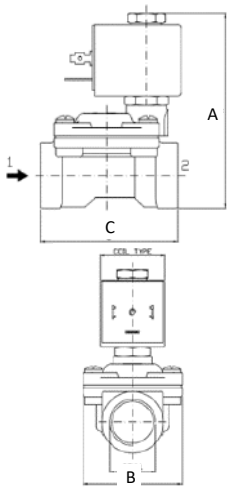
- *General Service: R2MG Serie*



## *Normally Open*

- *General Service: R2SP-R2SR Serie*





VALVE TYPE TIPO VALVOLA	DIMENSION A QUOTA A	DIMENSION B QUOTA B	DIMENSION C QUOTA C	COIL TYPE TIPO BOBINA	WEIGHT PESO
R2SP G3/8"	83	46	58	SERIE 2800	0,44
R2SP G1/2"	83	46	58	SERIE 2800	0,41
R2SP G3/4"	93	56	78	SERIE 2800	0,70
R2SP G1"	104	74	95	SERIE 2800	1,15
R2SR G 1 1/4"	135	96	130	SERIE 3000	2,4
R2SR G 1 1/2"	135	96	130	SERIE 3000	2,3
R2SR G 2"	151	120	155	SERIE 3000	3,3



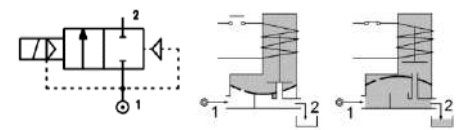
## Serie R2SP-R2SR Normally Close

CODE	Connection G ISO 228	Orifice mm	Kv m³/h	Differential Pressure (bar)			Coil		Seal	Temp. Range °C				
				Min	Max		Series	Width (mm)						
					AC	DC								
R2SPCG#12/// Coil	3/8"	13	2.2	0.15	16	16	2800	22	NBR=B	-10 +90				
R2SPCG#12/// Coil	1/2"	13	2.5	0.15	16	16								
R2SPCG#18/// Coil	3/4"	19	5.5	0.15	14	14								
R2SPCG#25/// Coil	1"	25	10.2	0.15	10	10	3000	30	EPDM=E	-10 +160				
R2SRCG#32/// Coil	1" 1/4	32	18	0.15	10	10								
R2SRCHG#40/// Coil	1" 1/2	40	21	0.15	10	10								
R2SRCIG#50/// Coil	2"	50	36	0.15	10	10	3A00	30	FPM=V	-10 +160				
* High pressure range (only NBR sealings)														
R2SPCG12/// Coil	3/8"	13	2.2	0.5	25	25								
R2SPCG12/// Coil	1/2"	13	2.2	0.5	25	25								

# : Please select the sealing type required  
 Example: R2SPCGB12///2801: ISO G1/2"NBR  
 Coil 24V DC 6,5W

### Coils

SERIE	Coil P/N	Voltage	Nominal Power			Electrical connection	Connectors
			AC VA Inrush	AC VA Holding	DC Watt		
Series 2800 Width 22mm	2801	24V DC	-	-	6.5	Industrial Standard 22 mm	On Demand
	280B	24V AC	12	8	-		
	280E	230V AC	12	8	-		
Series 3000 Width 30mm	3001	24DC	-	-	10	DIN 43650A	On Demand
	300B	24 AC	20	15	-		
	300E	230 AC	20	15	-		
Series 3A00 Width 30mm	3A01	24V DC	-	-	5		
	3A0B	24V AC	15	11	-		
	3A0E	230V AC	15	11	-		



### DESCRIPTION

- Solenoid valve 2 ways, indirect acting type.
- Brass body CW617N.
- Switching-On time 30ms (<1/2"), 50ms (3/4"-1"), 150-1000ms adjustable (>1 1/4")
- Switching-Off time 50ms (<1/2"), 80ms (3/4"-1"), 150-1000ms adjustable (>1 1/4")

### CONSTRUCTION

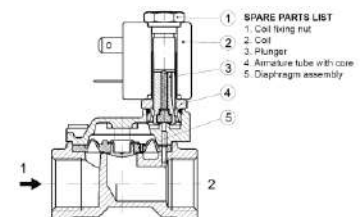
- Body: Brass CW614N
- Armature tube: Stainless steel Aisi 303
- Plunger and core: Stainless steel 430Fr
- Springs: Stainless steel Aisi 302
- Seal material: NBR - FPM - EPDM

### FEATURES

- Maximum allowable pressure: 25bar\*
- Maximum fluid viscosity: 25cSt (mm2/s)
- Ambient temperature: with class H coil -10°C +80°C
- Above 80°C please consult our tech department for the application fine tuning
- Preferred mounting position with vertical coil above

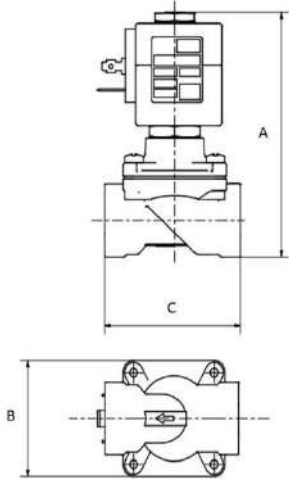
### OPTIONS

- Manual override
- Electroless nickel plating
- Version with slow closing diaphragm
- Version for vacuum application (air/gas)
- Others on request



### SPARE PARTS

1. Coil fixing nut
2. Coil
3. Mobile plunger assembly
4. Armature tube kit
5. Diaphragm assembly



VALVE TYPE			DIMENSION A	DIMENSION B	DIMENSION C
R2M	G3/8	DN 13MM	98	46	58
R2M	G1/2	DN 13MM	98	46	58
R2M	G3/4	DN 19MM	109	56	78
R2M	G1	DN 25MM	122	74	95



## 2/2 Serie R2MG Normally Closed

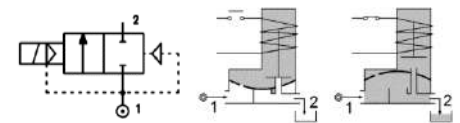
CODE	Connection G ISO 228	Orifice mm	Kv m³/h	Differential Pressure (bar)			Coil		Seal	Temp. Range °C
				Min	Max		Series	Width (mm)		
					AC	DC				
R2MGCG#12///Coil	3/8"	13	2.2	0.15	16	10 (*)	3000	30	NBR=B	-10 +90
R2MGCDG#12///Coil	1/2"	13	2.5	0.15	16	10 (*)			EPDM=E	-10 +160
R2MGCEG#18///Coil	3/4"	19	5.5	0.15	10	5 (*)			FPM=V	-10 +160

# : Please select the sealing type required  
Example: R2MGCDGB12///3001: ISO G1/2"NBR  
Coil 24V DC 10W

(\*) with coil 3C01

## Coils

SERIE	Coil P/N	Voltage	Nominal Power			Electrical connection	Connectors
			AC VA Inrush	AC VA Holding	DC Watt		
Series 3000 Width 30mm	3001	24V DC	-	-	10	DIN 43650A	On Demand
	300B	24V AC	15	12	-		
	300D	110V AC	15	12	-		
	300E	230V AC	15	12	-		



### DESCRIPTION

- Solenoid valve 2 ways, indirect acting type.
- Brass body CW617N.
- Switching-On time 30ms (<1/2")
- Switching-Off time 50ms (<1/2")

### CONSTRUCTION

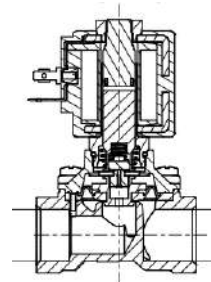
- Body: Brass CW614N
- Armature tube: Stainless steel Aisi 303
- Plunger and core: Stainless steel 430Fr
- Springs: Stainless steel Aisi 302
- Seal material: NBR - FPM - EPDM

### FEATURES

- Maximum allowable pressure: 25bar\*
- Maximum fluid viscosity: 25cSt (mm²/s)
- Ambient temperature:  
with class F coil -10°C +55°C  
with class H coil -10°C +80°C
- Above 80°C please consult our tech department for the application fine tuning
- Preferred mounting position with vertical coil above

### OPTIONS

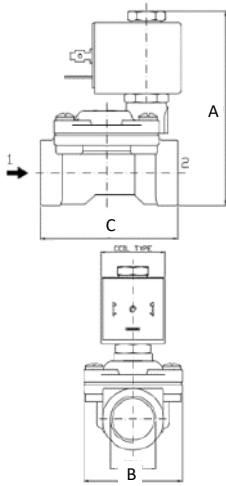
- Electroless nickel plating
- Version for vacuum application (air/gas)
- Others on request



### SPARE PARTS

1. Coil fixing nut
2. Coil
3. Mobile plunger assembly
4. Armature tube kit
5. Diaphragm assembly





VALVE TYPE TIPO	DIMENSION A QUOTA A	DIMENSION B QUOTA B	DIMENSION C QUOTA C	COIL TYPE TIPO BOBINA	WEIGHT PESO
R2SP G3/8"	83	46	58	SERIE 2800	0,44
R2SP G1/2"	83	46	58	SERIE 2800	0,41
R2SP G3/4"	93	56	78	SERIE 2800	0,70
R2SP G1"	104	74	95	SERIE 2800	1,15
R2SR G 1 1/4"	135	96	130	SERIE 3000	2,4
R2SR G 1 1/2"	135	96	130	SERIE 3000	2,3
R2SR G 2"	151	120	155	SERIE 3000	3,3



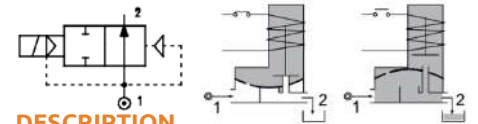
## 2/2 Serie R2SP-R2SR Normally Open

CODE	Connection G ISO 228	Orifice mm	Kv m³/h	Differential Pressure (bar)			Coil		Seal	Temp. Range °C
				Min	Max		Series	Width (mm)		
				AC	DC					
R2SPACG#12/// Coil	3/8"	13	2.2	0.15	16	16	2800	22	NBR=B	-10 +90
R2SPADG#12/// Coil	1/2"	13	2.5	0.15	16	16				
R2SPAEG#18/// Coil	3/4"	19	5.5	0.15	14	14				
R2SPAFG#25/// Coil	1"	25	10.2	0.15	10	10	3000	30	EPDM=E	-10 +160
R2SRAGG#32/// Coil	1" 1/4"	32	18	0.15	10	10				
R2SRAHG#40/// Coil	1" 1/2"	40	21	0.15	10	10				
R2SRAIG#50/// Coil	2"	50	36	0.15	10	10			FPM=V	-10 +160

# : Please select the sealing type required  
 Example: R2SPADGB12///2201: ISO G1/2"NBR  
 Coil 24V DC 7W

### Coils

SERIE	Coil P/N	Voltage	Nominal Power			Electrical connection	Connectors
			AC VA Inrush	AC VA Holding	DC Watt		
Series 2800 Width 22mm	2801	24V DC	-	-	7	Industrial Standard 22 mm	On Demand
	280B	24V AC	11,5	9	-		
	280D	110V AC	11,5	9	-		
	280E	230V AC	11,5	9	-		
Series 3000 Width 30mm	3001	24DC	-	-	10	DIN 43650A	On Demand
	300B	24 AC	20	15	-		
	300E	230 AC	20	15	-		
Series 3A00 Width 30mm	3A01	24V DC	-	-	8	DIN 43650A	On Demand
	3A0B	24V AC	11	8,5	-		
	3A0E	230V AC	11	8,5	-		



### DESCRIPTION

- Solenoid valve 2 ways, indirect acting type.
- Brass body CW617N.
- Switching-On time 30ms (<1/2"), 50ms (3/4"-1"), 150-1000ms adjustable (>1 1/4")
- Switching-Off time 50ms (<1/2"), 80ms (3/4"-1"), 150-1000ms adjustable (>1 1/4")

### CONSTRUCTION

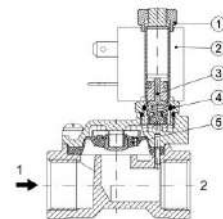
- Body: Brass CW617N
- Armature tube: Brass CW614N
- Plunger and core: Stainless steel 430Fr
- Springs: Stainless steel Aisi 302
- Seal material: NBR - FPM - EPDM

### FEATURES

- Maximum allowable pressure: 25bar\*
- Maximum fluid viscosity: 25cSt (mm²/s)
- Ambient temperature: with class F coil -10°C +55°C with class H coil -10°C +80°C
- Above 80°C please consult our tech department for the application fine tuning
- Preferred mounting position with vertical coil above

### OPTIONS

- Electroless nickel plating
- Version with slow closing diaphragm
- Version for vacuum application (air/gas)
- Others on request



### SPARE PARTS

1. Coil fixing nut
2. Coil
3. Mobile plunger assembly
4. Armature tube kit
5. Diaphragm assembly

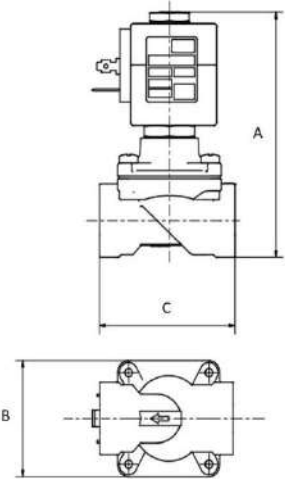


# 2 Ways Combined Acting

## *Normally Closed*

- *General Service: R2MH Serie*
- *Stainless Steel: R2IH Serie*





VALVE TYPE		DIMENSION A	DIMENSION B	DIMENSION C
R2MH G3/8	DN 13MM	98	46	58
R2MH G1/2	DN 13MM	98	46	58
R2MH G3/4	DN 19MM	109	56	78
R2MH G1	DN 25MM	122	74	95



## 2/2 Serie R2MH Normally Closed

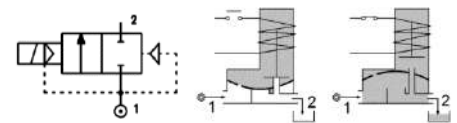
CODE	Connection G ISO 228	Orifice mm	Kv m³/h	Differential Pressure (bar)			Coil		Seal	Temp. Range °C
				Min	Max		Series	Width (mm)		
					AC	DC				
R2MHCCG#12///Coil	3/8"	13	2.2	0	10	10 (*)	3000	30	NBR=B	-10 +90
					12	12	3600	36		
R2MHCDG#12///Coil	1/2"	13	2.5	0	10	10 (*)	3000	30	EPDM=E	-10 +160
					12	12	3600	36		
R2MHCEG#18///Coil	3/4"	19	5,5	0	10	-	3000	30	FPM=V	-10 +160
					12	12	3600	36		
R2MHCFG#25///Coil	1"	25	10,2	0	10	6 (**)	3600	36		

# : Please select the sealing type required  
 Example: R2MHCDGB12///300E: ISO G1/2" NBR  
 Coil 230V AC 15VA

(\*) with coil 3C01  
 (\*\*) In case of use with ED >50% the nominal voltage tolerance to the coil has to be modified in +10% / -0%

## Coils

SERIE	Coil P/N	Voltage	Nominal Power			Electrical connection	Connectors
			AC VA Inrush	AC VA Holding	DC Watt		
Series 3000 Width 30mm	3001	24V DC	-	-	10	DIN 43650A	On Demand
	3C01	24VDC	-	-	12		
	300B	24V AC	15	12	-		
	300D	110V AC	15	12	-		
	300E	230V AC	15	12	-		
Series 3600 Width 36mm	3601	24V DC	-	-	24	DIN 43650A	On Demand
	360B	24V AC	30	24	-		
	360D	110V AC	30	24	-		
	360E	230V AC	30	24	-		



### DESCRIPTION

- Solenoid valve 2 ways, combined acting type.
- Brass body CW617N.

### CONSTRUCTION

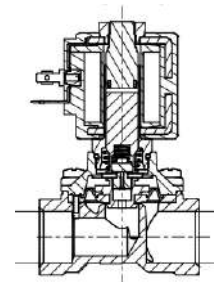
- Body: Brass CW614N
- Armature tube: Stainless steel Aisi 303
- Plunger and core: Stainless steel 430Fr
- Springs: Stainless steel Aisi 302
- Seal material: NBR - FPM - EPDM

### FEATURES

- Maximum allowable pressure: 25bar\*
- Maximum fluid viscosity: 25cSt (mm²/s)
- Ambient temperature:  
with class F coil -10°C +55°C  
with class H coil -10°C +80°C
- Above 80°C please consult our tech department for the application fine tuning
- Preferred mounting position with vertical coil above

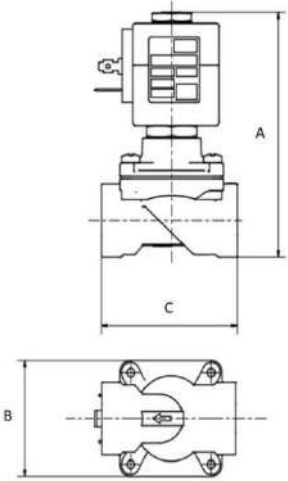
### OPTIONS

- Electroless nickel plating
- Version for vacuum application (air/gas)
- Others on request



### SPARE PARTS

1. Coil fixing nut
2. Coil
3. Mobile plunger assembly
4. Armature tube kit
5. Diaphragm assembly



VALVE TYPE	DIMENSION A	DIMENSION B	DIMENSION C	WEIGHT
R2IH G 3/8"	90	50	66	583
R2IH G 1/2"	90	50	66	583
R2IH G 3/4"	96	50	66	583
R2IH G 1"	103	61	86	810



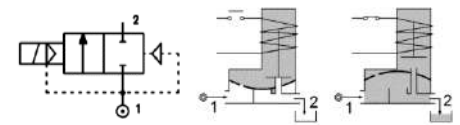
## 2/2 Serie R2IH Normally Closed

CODE	Connection G ISO 228	Orifice mm	Kv m³/h	Differential Pressure (bar)		Coil		Seal	Temp. Range °C	
				Min	Max	Series	Width (mm)			
				AC	DC					
R2IHCCGV12///Coil	3/8"	12	2.2	0	16	6	3000	30	FKM=V	-10 +140
					16	16	3600	36		
R2IHCDGV15///Coil	1/2"	15	2.5	0	10	6	3000	30		
					16	16	3600	36		
R2IHCEGV20///Coil	3/4"	20	5,5	0	10	6	3000	30		
					16	16	3600	36		
R2IHCFGV25///Coil	1"	25	10,2	0	16	16	3600	36		

# : Please select the sealing type required  
 Example: R2IHCDGV15///300E: ISO G1/2" FKM  
 Coil 230V AC 15VA

## Coils

SERIE	Coil P/N	Voltage	Nominal Power			Electrical connection	Connectors
			AC VA Inrush	AC VA Holding	DC Watt		
Series 3000 Width 30mm	3001	24V DC	-	-	10	DIN 43650A	On Demand
	3C01	24VDC	-	-	12		
	300B	24V AC	15	12	-		
	300D	110V AC	15	12	-		
	300E	230V AC	15	12	-		
Series 3600 Width 36mm	3601	24V DC	-	-	24		
	360B	24V AC	30	24	-		
	360D	110V AC	30	24	-		
	360E	230V AC	30	24	-		



### DESCRIPTION

- Solenoid valve 2 ways, combined acting type.
- Stainless Steel body AISI304.

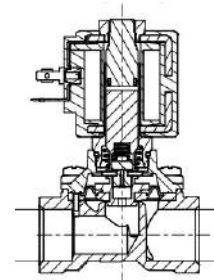
### CONSTRUCTION

- Body: Stainless Steel AISI 304
- Armature tube: Stainless steel Aisi 303
- Plunger and core: Stainless steel 430Fr
- Springs: Stainless steel Aisi 302
- Seal material: FKM

### FEATURES

- Maximum allowable pressure: 25bar\*
- Maximum fluid viscosity: 25cSt (mm2/s)
- Ambient temperature:  
with class F coil -10°C +55°C  
with class H coil -10°C +80°C
- Above 80°C please consult our tech department for the application fine tuning
- Preferred mounting position with vertical coil above

### OPTIONS



### SPARE PARTS

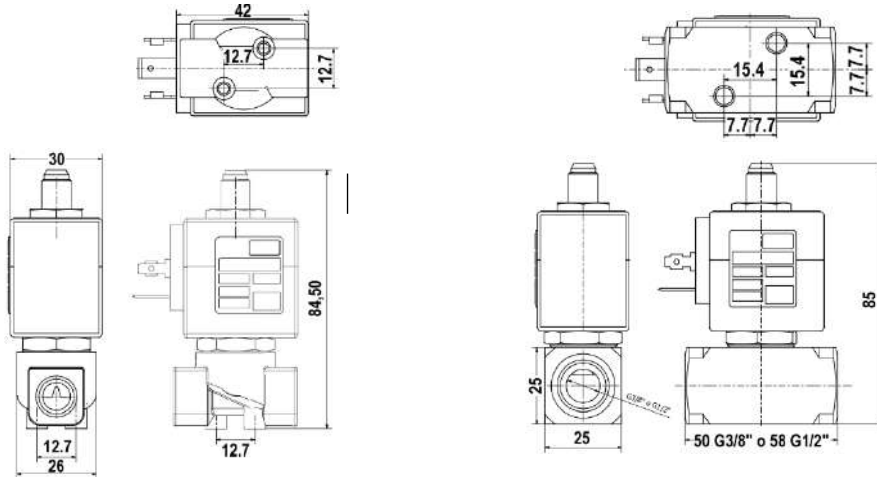
1. Coil fixing nut
2. Coil
3. Mobile plunger assembly
4. Armature tube kit
5. Diaphragm assembly

# 3 Ways Direct Acting

## *Normally Closed*

- *General Service: R2ACT Serie*
- *Flanged Connection: R2XCT Serie*
- *Stainless Steel Body: R2ICT Serie*





## 3/2 Serie R2ACT Normally Close

CODE	Connection G ISO 228	Orifice mm	Kv m³/h	Differential Pressure (bar)		Coil		Seal	Temp. Range °C					
				Min	Max	Series	Width (mm)							
R2ACTAG#12/// Coil	1/8"	1.2	0.05	0	25	3000	30	NBR=B	-10 +90					
R2ACTAG#15/// Coil		1.5	0.07	0	20									
R2ACTAG#20/// Coil		2	0.1	0	13									
R2ACTAG#25/// Coil		2.5	0.15	0	10									
R2ACTAG#30/// Coil		3.0	0.25	0	6.5									
R2ACTBG#12/// Coil	1/4"	1.2	0.05	0	25		3000	30	EPDM=E	-10 +160				
R2ACTBG#15/// Coil		1.5	0.07	0	20									
R2ACTBG#20/// Coil		2	0.1	0	13									
R2ACTBG#25/// Coil		2.5	0.15	0	10									
R2ACTBG#30/// Coil		3.0	0.25	0	6.5									
R2ACTBG#35/// Coil	3.5	0.32	0	5	5		3000	30	FPM=V	-10 +160				
R2ACTCG#30/// Coil	3/8"	3	0.25	0	6.5						3000	30	PTFE=P	-10 +180
R2ACTCG#35/// Coil		3.5	0.32	0	5									
R2ACTDG#30/// Coil	1/2"	3	0.25	0	6.5						3000	30	PTFE=P	-10 +180
R2ACTDG#35/// Coil		3.5	0.32	0	5		5							

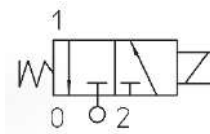
# : Please select the sealing type required  
Example: R2ACTBG#25///3001: ISO G1/4"NBR  
Coil 24V DC 10W

REMARK: The maximum allowable pressure PS for steam is 6bar with PTFE seals and 2,5bar with EPDM

Note: For Industrial Oxygen use application use FKM seals and max pressure is limited to 25bar.  
Example: R2ACTBG#15/D/3001 G1/4" 1,5mm FKM  
24V DC 10W

### Coils

SERIE	Coil P/N	Voltage	Nominal Power			Electrical connection	Connectors
			AC VA Inrush	AC VA Holding	DC Watt		
Series 3000 Width 30mm	3001	24DC	-	-	10	DIN 43650A	On Demand
	300B	24 AC	15	12	-		
	300D	110 AC	15	12	-		
	300E	230 AC	15	12	-		



### DESCRIPTION

- Solenoid valve 3 ways, direct acting type.
- Brass body CW617N.
- Switching-On time 18ms.
- Switching-Off time 23ms.

### CONSTRUCTION

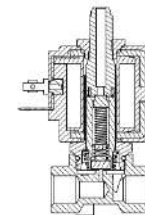
- Body: Brass CW614N
- Armature tube: Stainless steel Aisi 303
- Plunger and core: Stainless steel 430Fr
- Springs: Stainless steel Aisi 302
- Seal material: NBR - FPM - EPDM - PTFE

### FEATURES

- Maximum allowable pressure: 45bar\*
- Maximum fluid viscosity: 25cSt (mm²/s)
- Ambient temperature:  
with class F coil: -10°C +55°C  
with class H coil -10°C +80°C
- Above 80°C please consult our tech department for the application fine tuning
- Universal mounting position

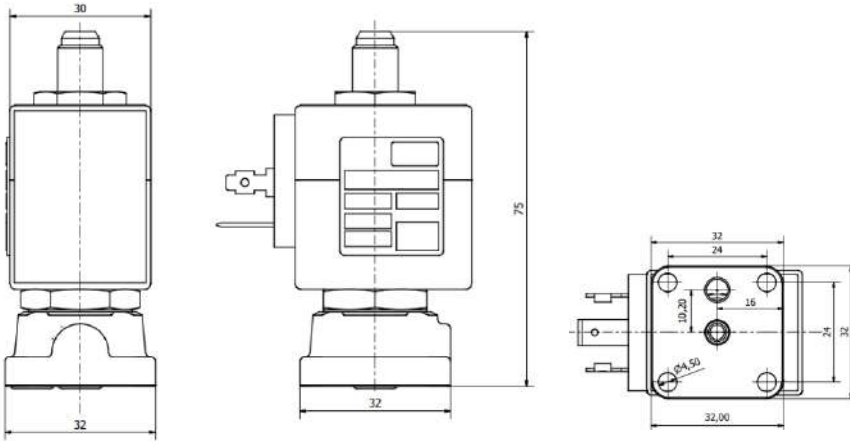
### OPTIONS

- Manual override
- /O: Degreased for Industrial Oxygen use
- /N: Electroless nickel plating
- /R: Stainless steel orifice
- Others on request



### SPARE PARTS

1. Coil fixing nut
2. Coil
3. Mobile plunger assembly
4. Armature tube kit



### 3/2 Serie R2XCT Normally Close

CODE	Connection G ISO 228	Orifice mm	Kv m³/h	Differential Pressure (bar)		Coil		Seal	Temp. Range °C
				Min	Max	Series	Width (mm)		
R2XCTXG#12/// Coil	Sub Base	1,2	0.05	0	25	3000	30	NBR=B	-10 +90
R2XCTXG#15/// Coil		1,5	0.07	0	20				
R2XCTXG#20/// Coil		2	0.1	0	13				
R2XCTXG#25/// Coil		2,5	0.15	0	10				

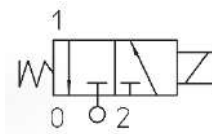
# : Please select the sealing type required  
Example: R2XCTXGB25///3000; ISO G¼"NBR  
Coil 24V DC 10W

REMARK: The maximum allowable pressure PS for steam is 6bar with PTFE seals and 2,5bar with EPDM

Note: For Industrial Oxygen use application use FKM seals and max pressure is limited to 25bar.  
Example: R2XCTXGV15/Q/3001 G¼" 1,5mm FKM  
24V DC 10W

### Coils

SERIE	Coil P/N	Voltage	Nominal Power			Electrical connection	Connectors
			AC VA Inrush	AC VA Holding	DC Watt		
Series 3000 Width 30mm	3001	24DC	-	-	10	DIN 43650A	On Demand
	300B	24 AC	15	12	-		
	300E	230 AC	15	12	-		



### DESCRIPTION

- Solenoid valve 3 ways, direct acting type.
- Brass body CW617N.
- Switching-On time 18ms.
- Switching-Off time 23ms.

### CONSTRUCTION

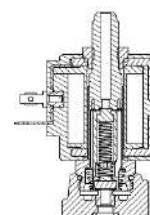
- Body: Brass CW614N
- Armature tube: Stainless steel Aisi 303
- Plunger and core: Stainless steel 430Fr
- Springs: Stainless steel Aisi 302
- Seal material: NBR - FPM - EPDM - PTFE

### FEATURES

- Maximum allowable pressure: 45bar\*
- Maximum fluid viscosity: 25cSt (mm²/s)
- Ambient temperature:  
with class F coil: -10°C +55°C  
with class H coil: -10°C +80°C
- Above 80°C please consult our tech department for the application fine tuning
- Universal mounting position

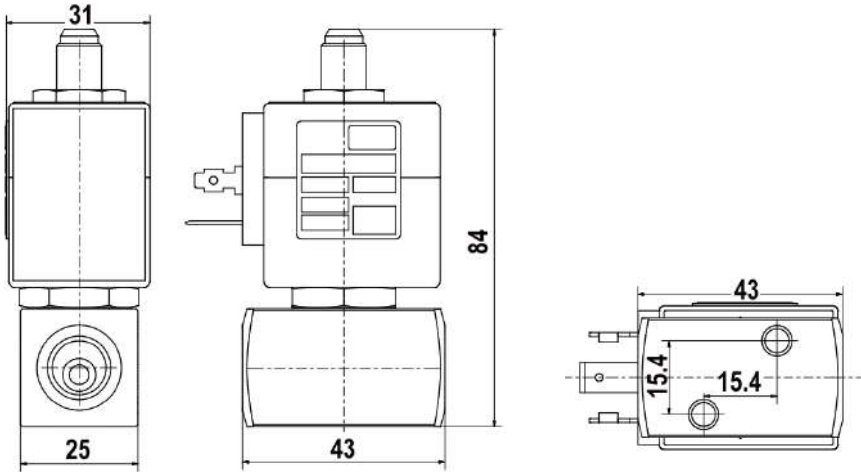
### OPTIONS

- Manual override
- Degreased for Industrial Oxygen use
- Electroless nickel plating
- Others on request



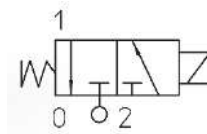
### SPARE PARTS

1. Coil fixing nut
2. Coil
3. Mobile plunger assembly
4. Armature tube kit



### 3/2 Serie R2ICT Normally Closed

CODE	Connection	Orifice	Kv	Differential Pressure (bar)		Coil		Seal	Temp. Range	
				Min	Max	Series	Width (mm)			
				AC	DC					
R2ICTBG#15/// Coil	1/4"	1.5	0.07	0	20	3000	30	NBR=B	-10 +90	
R2ICTBG#20/// Coil		2	0.1	0	13					
R2ICTBG#25/// Coil		2.5	0.15	0	10					
R2ICTBG#35/// Coil		3.5	0.32	0	5					
R2ICTCG#30/// Coil	3/8"	3	0.25	0	6.5			30	FPM=V	-10 +160
R2ICTCG#35/// Coil		3.5	0.32	0	5					
R2ICTDG#30/// Coil	1/2"	3	0.25	0	6.5			30	PTFE = P	-40 +180
R2ICTDG#35/// Coil		3.5	0.32	0	5					



#### DESCRIPTION

- Solenoid valve 3 ways, direct acting type.
- Stainless Steel AISI 303.
- Switching-On time 18ms.
- Switching-Off time 23ms.

#### CONSTRUCTION

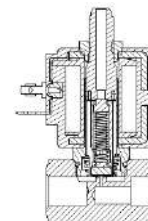
- Body: Stainless Steel AISI 303
- Armature tube: Stainless steel Aisi 303
- Plunger and core: Stainless steel 430Fr
- Springs: Stainless steel Aisi 302
- Seal material: NBR - FPM - EPDM - PTFE

#### FEATURES

- Maximum allowable pressure: 45bar\*
- Maximum fluid viscosity: 27cSt (mm<sup>2</sup>/s)
- Ambient temperature:
  - with class F coil: -10°C +55°C
  - with class H coil: -10°C +80°C
- Above 80°C please consult our tech department for the application fine tuning
- Universal mounting position

#### OPTIONS

- Manual override
- Degreased for Industrial Oxygen use
- Others on request



#### SPARE PARTS

1. Coil fixing nut
2. Coil
3. Mobile plunger assembly
4. Armature tube kit

# : Please select the sealing type required  
Example: R2ICTBGB15///3001: ISO G1/4"NBR  
Coil 24V DC 10W

REMARK: The maximum allowable pressure PS for steam is 6bar with PTFE seals and 2,5bar with EPDM

Note: For Industrial Oxygen use application use FKM seals and max pressure is limited to 25bar.  
Example: R2ICTBGV15/Q/3001 G1/4" 1.5mm FKM  
24V DC 10W

#### Coils

SERIE	Product Serie	Voltage	Nominal Power			Electrical connection	Connectors
			AC VA Inrush	AC VA Holding	DC Watt		
Series 3000 Width 30mm	3001	24DC	-	-	10	DIN 43650A	On Demand
	300B	24 AC	15	12	-		
	300E	230 AC	15	12	-		



# Direct Acting Pilots

## 2 Ways Normally Closed

- Compact: R2KT Serie
- General Service: R2KT Serie



## 2 Ways Normally Open

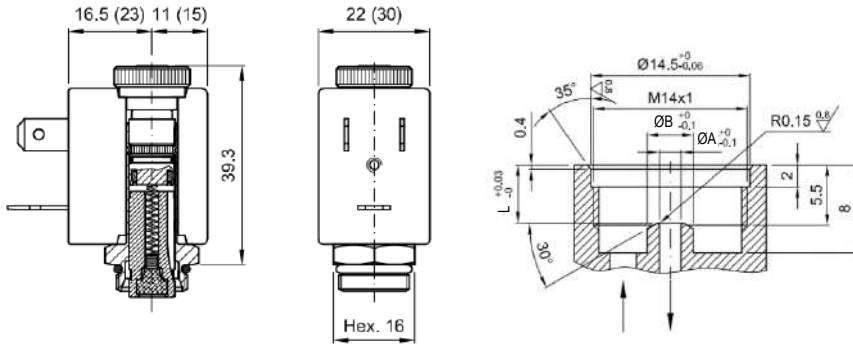
- Compact: R2KT Serie
- General Service: R2KT Serie



## 3 Ways Normally Closed

- General Service: R2KTE Serie





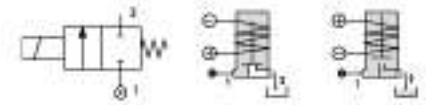
## Serie R2KT Armature tube 10mm Normally Close

CODE	Ø A mm	Ø B mm	L mm	Differential Pressure (bar)			Coil		Seal	Temp. Range °C
				Min	Max		Series	Width (mm)		
				AC	DC					
R2KTCA-#AA/// Coil	1.2		5	0	25	25	2800	22	NBR=B	-10 +90
R2KTCA-#AA/// Coil	1.5		5.1	0	16	16				
R2KTCA-#AA/// Coil	2.0		5.2	0	12	10				
R2KTCA-#AA/// Coil	2.5		5.4	0	8	6			EPDM=E	-10 +160
R2KTCA-#AA/// Coil	3.0		5.5	0	5	3				
R2KTCA-#AA/// Coil	4.0		5.6	0	4	2				
R2KTCA-#AA/// Coil	2.5		5.4	0	16	8	3A00	30	FPM=V	-10 +160
R2KTCA-#AA/// Coil	3.0		5.5	0	8	5				
R2KTCA-#AA/// Coil	4.0		5.6	0	5	3				

# : Please select the sealing type required  
 Example: R2KTCA-BAA///2801: 2/2 NC 10mm tube Stainless Steel, NBR, M14x1 connection  
 Coil 24V DC 7W 22mm

### Coils

SERIE	Product Serie	Voltage	Nominal Power			Electrical connection	Connectors
			AC VA Inrush	AC VA Holding	DC Watt		
Series 2800 Width 22mm	2801	24 DC	-	-	7	Industrial Standard 22 mm	On Demand
	280B	24 AC	11,5	9	-		
	280E	230 AC	11,5	9	-		
Series 3A00 Width 30mm	3A01	24 DC	-	-	8	DIN 43650A	On Demand
	3A0B	24 AC	11	8,5	-		
	3A0E	230 AC	11	8,5	-		



### DESCRIPTION

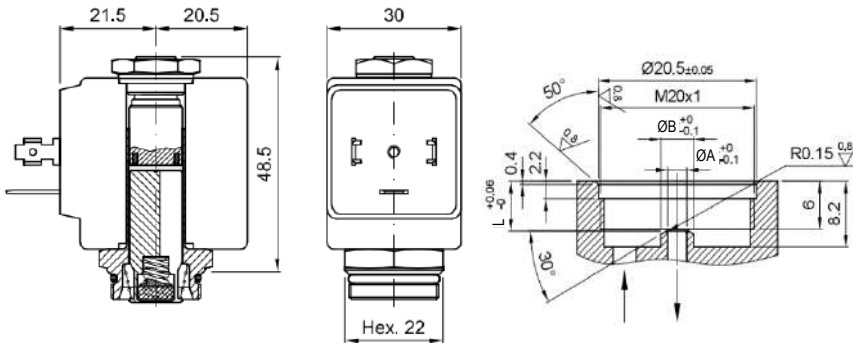
- Solenoid pilot 2 ways, direct acting type.
- Switching-On time 15ms.
- Switching-Off time 20ms.

### CONSTRUCTION

- Armature tube: Stainless Steel AISI 303
- Plunger and core: Stainless steel - 430 Fr
- Springs: Stainless steel - Aisi 302
- Seal material: NBR - FPM - EPDM

### FEATURES

- Maximum allowable pressure: 45bar\*
- Maximum fluid viscosity: 27cSt (mm2/s)
- Ambient temperature:  
 Class F coil -10°C +55°C  
 Class H coil -10°C +80°C
- Above 80°C please consult our tech department for the application fine tuning
- Universal mounting



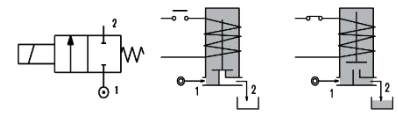
### Serie R2KT Armature tube 13mm Normally Close

CODE	Ø A mm	Ø B mm	L mm	Differential Pressure (bar)			Coil		Seal	Temp. Range °C
				Min	Max		Series	Width (mm)		
					AC	DC				
R2KTCC-#CA/// Coil	0.8	4.2	6.2	0	100	100	3000	30	NBR=B	-10 +90
R2KTCC-#CA/// Coil	1.5	4.2	6.2	0	30	25				
R2KTCC-#CA/// Coil	2.0	4.2	6.2	0	22	20				
R2KTCC-#CA/// Coil	2.5	4.2	6.2	0	16	15				
R2KTCC-#CA/// Coil	3.5	6.2	6.2	0	10	8				
R2KTCC-#CA/// Coil	4.5	6.2	6.4	0	6.5	3.5				
R2KTCC-#CA/// Coil	5.2	6.2	6.4	0	4	1.8				
							FPM=V	-10 +160		
							FFKM=K	-10 +180		
							PTFE=P	-10 +180		

# : Please select the sealing type required  
 Example: R2KTCC-BCA///3001: 2/2 NC 13mm tube Stainless Steel, NBR, M20x1.5 connection  
 Coil 24V DC 10W 30mm

#### Coils

SERIE	Product Serie	Voltage	Nominal Power			Electrical connection	Connectors
			AC VA Inrush	AC VA Holding	DC Watt		
Series 3000 Width 30mm	3001	24 DC	-	-	10	DIN 43650A	On Demand
	300B	24 AC	15	12	-		
	300E	230 AC	15	12	-		



#### DESCRIPTION

- Solenoid pilot 2 ways, direct acting type.
- Switching-On time 15ms.
- Switching-Off time 20ms.

#### CONSTRUCTION

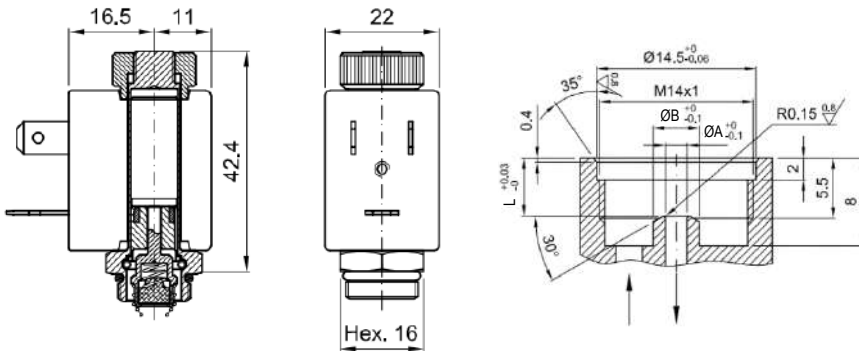
- Armature tube: Stainless Steel AISI 303
- Plunger and core: Stainless steel - 430 Fr
- Springs: Stainless steel - Aisi 302
- Seal material: NBR - FPM - EPDM - PTFE - FFKM

#### FEATURES

- Maximum allowable pressure: 100bar\*
- Maximum fluid viscosity: 27cSt (mm2/s)
- Ambient temperature:  
 Class F coil -10°C +55°C  
 Class H coil -10°C +80°C
- Above 80°C please consult our tech department for the application fine tuning
- Universal mounting

#### OPTIONS

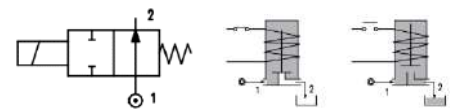
- /B: Back pressure resistance (for pressure details please ask our technical department)



### Serie R2KT Armature tube 10mm Normally Open

CODE	Ø A mm	Ø B mm	L mm	Differential Pressure (bar)		Coil		Seal	Temp. Range °C
				Min	Max	Series	Width (mm)		
				AC	DC				
R2KTAA-#AA/// Coil	1.2		5	0	18	2800	22	NBR=B	-10 +90
R2KTAA-#AA/// Coil	1.5		5.1	0	14			EPDM=E	-10 +160
R2KTAA-#AA/// Coil	2.0		5.2	0	8			FPM=V	-10 +160
R2KTAA-#AA/// Coil	2.5		5.4	0	4				
R2KTAA-#AA/// Coil	3.0		5.5	0	2.5				

# : Please select the sealing type required  
 Example: R2KTAA-BAA///2801: 2/2 NO 10mm tube Stainless Steel, NBR, M14x1 connection  
 Coil 24V DC 7W 22mm



#### DESCRIPTION

- Solenoid pilot 2 ways, direct acting type.
- Switching-On time 25ms.
- Switching-Off time 10ms.

#### CONSTRUCTION

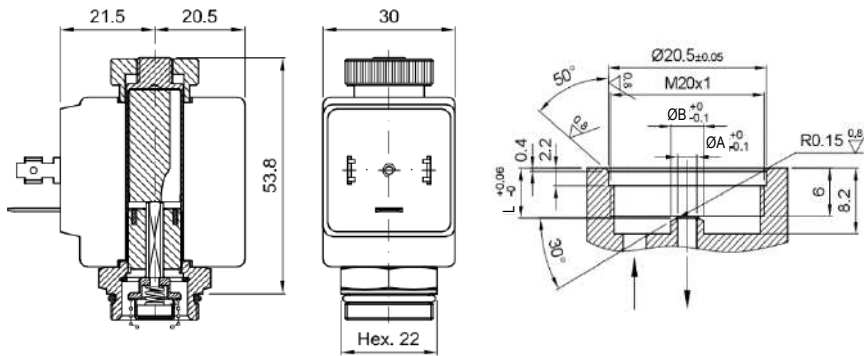
- Armature tube: Brass CW614N
- Plunger and core: Stainless steel - 430 Fr
- Springs: Stainless steel - Aisi 302
- Seal material: NBR - FPM - EPDM

#### FEATURES

- Maximum allowable pressure: 45bar\*
- Maximum fluid viscosity: 27cSt (mm2/s)
- Ambient temperature:  
 Class F coil -10°C +55°C  
 Class H coil -10°C +80°C
- Above 80°C please consult our tech department for the application fine tuning
- Universal mounting

#### Coils

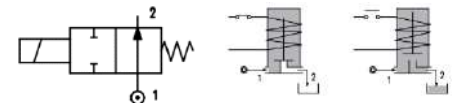
SERIE	Product Serie	Voltage	Nominal Power			Electrical connection	Connectors
			AC VA Inrush	AC VA Holding	DC Watt		
Series 2800 Width 22mm	2801	24 DC	-	-	7	Industrial Standard 22 mm	On Demand
	280B	24 AC	11,5	9	-		
	280E	230 AC	11,5	9	-		



### Serie R2KT Armature tube 13mm Normally Open

CODE	Ø A mm	Ø B mm	L mm	Differential Pressure (bar)			Coil		Seal	Temp. Range °C
				Min	Max		Series	Width (mm)		
					AC	DC				
R2KTAC-#CA/// Coil	1.5	4.2	6.2	0	18	18	3000	30	NBR=B	-10 +90
R2KTAC-#CA/// Coil	2.0	4.2	6.2	0	11	11				
R2KTAC-#CA/// Coil	2.5	4.2	6.2	0	7	7			EPDM=E	-10 +160
R2KTAC-#CA/G03/ Coil	3.5	6.2	6.2	0	6.5	6.5				
R2KTAC-#CA/G03/ Coil	4.5	6.2	6.4	0	4	4				

# : Please select the sealing type required  
 Example: R2KTAC-BCA///3001: 2/2 NO 13mm tube Stainless Steel, NBR, M20x1.5 connection  
 Coil 24V DC 10W 30mm



#### DESCRIPTION

- Solenoid pilot 2 ways, direct acting type.
- Switching-On time 25ms.
- Switching-Off time 10ms.

#### CONSTRUCTION

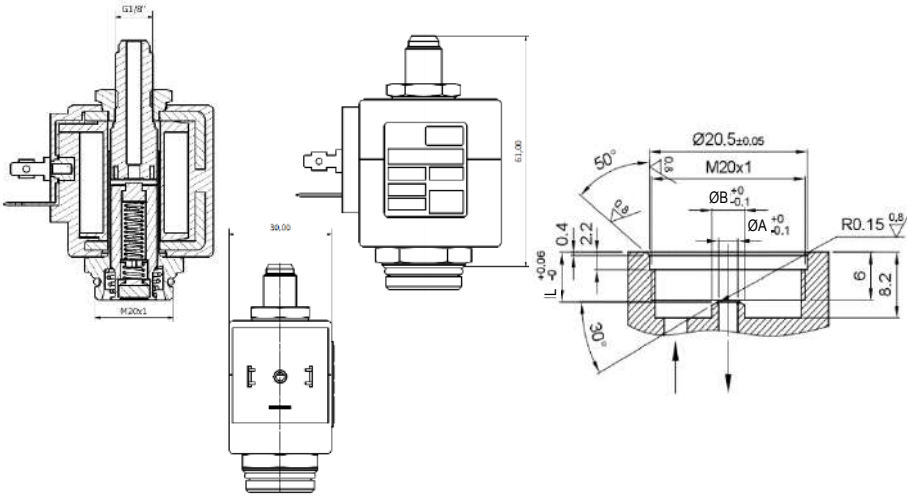
- Armature tube: Stainless Steel AISI 303
- Plunger and core: Stainless steel - 430 Fr
- Springs: Stainless steel - Aisi 302
- Seal material: NBR - FPM - EPDM

#### FEATURES

- Maximum allowable pressure: 45bar\*
- Maximum fluid viscosity: 27cSt (mm2/s)
- Ambient temperature:  
 Class F coil -10°C +55°C  
 Class H coil -10°C +80°C
- Above 80°C please consult our tech department for the application fine tuning
- Universal mounting

#### Coils

SERIE	Product Serie	Voltage	Nominal Power			Electrical connection	Connectors
			AC VA Inrush	AC VA Holding	DC Watt		
Series 3000 Width 30mm	3001	24 DC	-	-	10	DIN 43650A	On Demand
	300B	24 AC	15	12	-		
	300E	230 AC	15	12	-		



## Serie R2KT Armature tube 13mm Normally Close

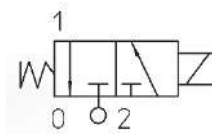
CODE	Ø A mm	Ø B mm	L mm	Differential Pressure (bar)			Coil		Seal	Temp. Range °C
				Min	Max		Series	Width (mm)		
					AC	DC				
R2KTEC-#CA/// Bob	1.2	4.2	6.2	0	25	25	3000	30	NBR=B	-10 +90
R2KTEC-#CA/// Bob	1.5	4.2	6.2	0	20	20			EPDM=E	-10 +160
R2KTEC-#CA/// Bob	2.0	4.2	6.2	0	13	13			FPM=V	-10 +160
R2KTEC-#CA/// Bob	2.5	4.2	6.2	0	10	10			PTFE=P	-10 +180
R2KTEC-#CA/// Bob	3.0	4.2	6.2	0	6.5	6.5				
R2KTEC-#CA/// Bob	3.5	6.2	6.2	0	5	5				
R2KTEC-#CA/// Bob	1.2	4.2	6.2	0	25	25				

# : Please select the sealing type required

Example: R2KTEC-BCA///3001: 2/2 NC 13mm tube Stainless Steel, NBR, M20x1.5 connection  
Coil 24V DC 10W 30mm

### Coils

SERIE	Product Serie	Voltage	Nominal Power			Electrical connection	Connectors
			AC VA Inrush	AC VA Holding	DC Watt		
Series 3000 Width 30mm	3001	24 DC	-	-	10	DIN 43650A	On Demand
	300B	24 AC	15	12	-		
	300E	230 AC	15	12	-		



### DESCRIPTION

- Solenoid pilot 3 ways, direct acting type.
- Exhasut orifice 3<sup>rd</sup> way: 2,4mm
- Switching-On time 15ms.
- Switching-Off time 20ms.

### CONSTRUCTION

- Armature tube: Stainless Steel AISI 303
- Plunger and core: Stainless steel - 430 Fr
- Springs: Stainless steel - Aisi 302
- Seals material: NBR - FPM - EPDM - PTFE/FKM(\*)
- (\*) For PTFE main seal version the 3<sup>rd</sup> way seal is with FKM

### FEATURES

- Maximum allowable pressure: 100bar\*
- Maximum fluid viscosity: 27cSt (mm<sup>2</sup>/s)
- Ambient temperature:  
Class F coil -10°C +55°C  
Class H coil -10°C +80°C
- Above 80°C please consult our tech department for the application fine tuning
- Universal mounting

### OPTIONS

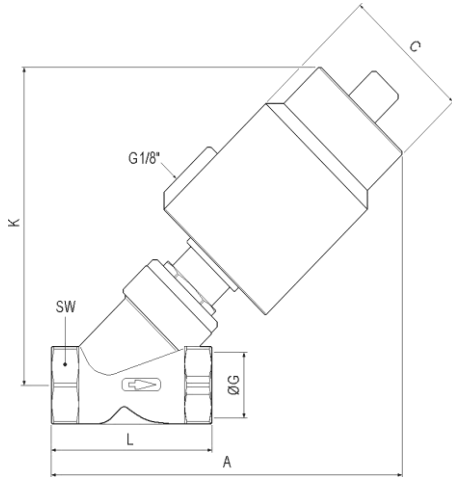
# 2 Ways Angle Seat Valves

## *Normally Closed*

- *General Service: R2SI Serie*







Mis. Size	Att. DN	Dimensioni mm.					Peso Weight Kg.
G	DN	C	A	K	L	SW	
1/2"	40	50.5	124	112	68	27	0.844
3/4"	50	60.0	140	132	75	32	1.130
1"	50	60.0	150	136	90	40	1.380
1"	63	75.0	172	162	90	40	2.130
1-1/4"	63	75.0	190	174	116	50	2.740
1-1/2"	63	75.0	190	175	116	56	2.870
1-1/2"	80	106	235	223	116	56	4.070
2"	80	106	250	232	138	69	6.030



## 2/2 Serie R2SI Air Actuated Angle Seat Valve

CODE	Connection	Orifice mm	Kv m <sup>3</sup> /h	Control Pressure		Working Pressure Max Bar	Actuator dimension Mm	Seal	Fluid Temp. Range °C
	G ISO 228			Min bar	Max Bar				
R2SICDGP13//40	1/2	13	4.7	3	11	DN 40	PTFE	-10 +180	
R2SICEGP18//50	3/4	18	8,6	3	10	DN 50			
R2SICF6P24//50	1	24	18	3	8	DN 50			
R2SICF6P24//63	1	24	18	4,5	13	DN 63			
R2SIC6GP31//63	1 1/4	31	23	4,5	6	DN 63			
R2SICH6P35//63	1 1/2	35	33	4,5	5	DN 63			
R2SICH6P35//80	1 1/2	35	33	5	10	DN 80			
R2SICIGP45//80	2	45	53	5	8	DN 80			

### DESCRIPTION

- Angle Seat Air Actuated Valve 2 ways Normally Closed.
- Stainless Steel body CF8M (Aisi 316).

### CONSTRUCTION

- Body: Stainless Steel CF8M (Aisi 316)
- Piston Housing: Stainless Steel CF8 (Aisi 304)
- Stem: Stainless Steel Aisi 316
- Seat Sealing Disk: PTFE
- Stem Seal: PTFE Chevron

### FEATURES

- Flow direction: Under the Seat
- Function: 2/2 Normally Closed
- Maximum fluid viscosity: 600 cSt (mm<sup>2</sup>/s)
- Ambient temperature: -10°C +60°C
- Pilot fluid: Dry or Lubricated air
- Pilot connection: G 1/8"
- Standard Accessory: Visual Position Indicator
- Universal mounting position

### OPTIONS

- 3/2 pilot valve on request
- Proportional Flow Configuration
- Others on request

Example: R2SICDGP13//40: ASV G1/2" NC Under Seat Valve DN13mm Actuator DN40

Note on compatibility: Valve is suitable for fluids compatibility according to the parts in contact. User is responsible for the compatibility check according to the working conditions.



# Accessories

## Coils

- 22mm Coils: 2200/2800 Serie
- 30mm Coils: 3A00 Serie
- 30mm Coils: 3000 Serie
- 36mm Coils: 3600 Serie



## Electric Plugs

- 412-413 Serie

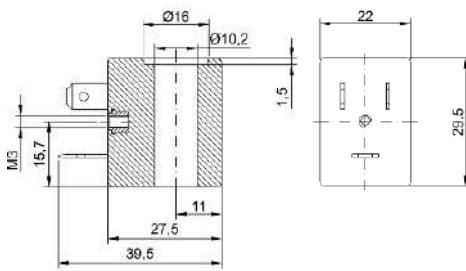


## Automatic Drain System for compressors

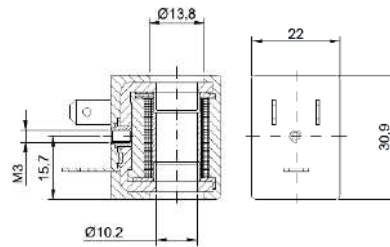
- R2SC Serie



Serie 2800



Serie 2200



**Serie 2800/2200 – 22mm coil – 10mm Armature Tube**

CODE		Voltage - Frequency	Power		Voltage Tolerance	Service	Note
Class F	Class H	(V) - (Hz)	AC (VA)	DC (W)	%	ED %	
280A (*)	282A (*)	12V 50/60Hz	11,5		+15%	100%	Standard Assembly
280B	282B (*)	24V 50/60Hz					
280C (*)	282C (*)	48V 50/60Hz					
280D (*)	282D (*)	110V 50/60Hz					
280E	282E (*)	220/230V 50/60Hz					
2800 (*)	2820 (*)	12V DC	7		+/-10%	100%	
2801	2821 (*)	24V DC					
220A (*)	222A (*)	12V 50/60Hz	8		+15%	100%	Standard and Upside-Down Assembly
220B	222B (*)	24V 50/60Hz					
220C (*)	222C (*)	48V 50/60Hz					
220D (*)	222D (*)	110V 50/60Hz					
220E	222E (*)	220/230V 50/60Hz					
2200 (*)	2220 (*)	12V DC	6.5		+/-10%	100%	
2201	2221 (*)	24V DC					

**DESCRIPTION**

- Encapsulated coil
- Electrical connection according to DIN 43650 B.

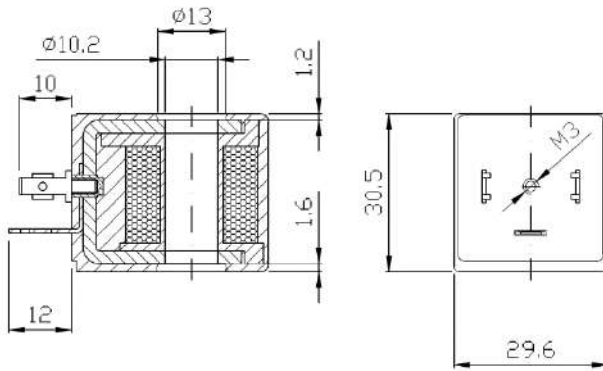
**CONSTRUCTION**

- Encapsulation:  
Class F: Fiber-Glass reinforced Nylon  
Class H: Fiber-Glass reinforced Polyester
- Magnetic circuit: Zinc-plated steel
- Windings: Class H insulated copper wires
- Ambient Temperature:  
Class F: -10°C +55°C  
Class H: -10°C +80°C

**OPTIONS**

- Special powers on request
- Special voltages on request

(\*) Available on request



### Serie 3A00 – 30mm Coil – 10mm Armature Tube

CODE		Voltage - Frequency (V) - (Hz)	Power		Voltage Tolerances %	Service ED %	Note
Class F	Class H		AC (VA)	DC (W)			
3A0A (*)	3A2A (*)	12V 50/60Hz	11		+15%	100%	Standard assembly
3A0B	3A2B (*)	24V 50/60Hz					
3A0C (*)	3A2C (*)	48V 50/60Hz					
3A0D (*)	3A2D (*)	110V 50/60Hz					
3A0E	3A2E (*)	220/230V 50/60Hz					
3A00 (*)	3A20 (*)	12V DC	8	+/-10%	100%		
3A01	3A21 (*)	24V DC					

#### DESCRIPTION

- Encapsulated coil
- Electrical connection according to DIN 43650 A (EN 175301-803 ISO 4400).

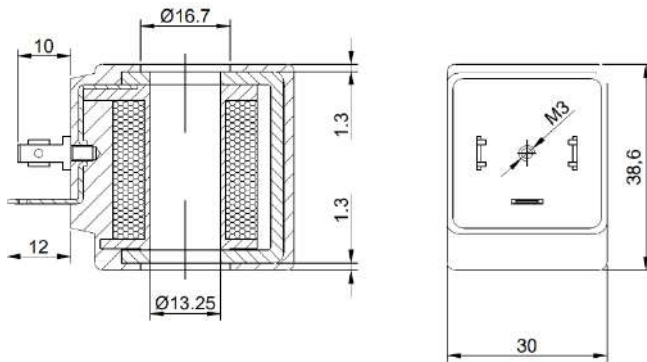
#### CONSTRUCTION

- Encapsulation:  
Class F: Fiber-Glass reinforced Nylon  
Class H: Fiber-Glass reinforced Polyester
- Magnetic circuit: Zinc-plated steel
- Windings: Class H insulated copper wires
- Ambient Temperature:  
Class F: -10°C +55°C  
Class H: -10°C +80°C

#### OPTIONS

- Special powers on request
- Special voltages on request

(\*) Available on request



### Serie 3000 – 30mm Coil – 13mm Armature Tube

CODE		Voltage - Frequency (V) - (Hz)	Power		Voltage Tolerances %	Service ED %	Note
Class F	Class H		AC (VA)	DC (W)			
300A (*)	302A (*)	12V 50/60Hz	15		+15%	100%	Standard assembly
300B	302B (*)	24V 50/60Hz					
300C (*)	302C (*)	48V 50/60Hz					
300D (*)	302D (*)	110V 50/60Hz					
300E	302E (*)	220/230V 50/60Hz					
3000 (*)	3020 (*)	12V DC	10		+/-10%	100%	
3001	3021 (*)	24V DC					

(\*) Available on request

#### DESCRIPTION

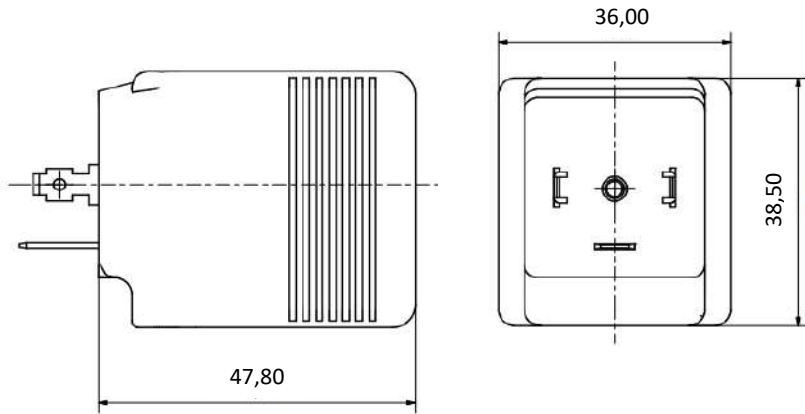
- Encapsulated coil
- Electrical connection according to DIN 43650 A (EN 175301-803 ISO 4400).

#### CONSTRUCTION

- Encapsulation:  
Class F: Fiber-Glass reinforced Nylon  
Class H: Fiber-Glass reinforced Polyester
- Magnetic circuit: Zinc-plated steel
- Windings: Class H insulated copper wires
- Ambient Temperature:  
Class F: -10°C +55°C  
Class H: -10°C +80°C

#### OPTIONS

- Special powers on request
- Special voltages on request



### Serie 3600 – 36mm Coil – 13mm Armature Tube

CODE		Voltage - Frequency (V) - (Hz)	Power		Voltage Tolerances %	Service ED %	Note
Class F	Class H		AC (VA)	DC (W)			
360A (*)	362A (*)	12V 50/60Hz	30		+15%	100%	Standard assembly
360B	362B (*)	24V 50/60Hz					
360C (*)	362C (*)	48V 50/60Hz					
360D (*)	362D (*)	110V 50/60Hz					
360E	362E (*)	220/230V 50/60Hz					
3600 (*)	3620 (*)	12V DC	24	+/-10%	100%		
3601	3621 (*)	24V DC					

#### DESCRIPTION

- Encapsulated coil
- Electrical connection according to DIN 43650 A (EN 175301-803 ISO 4400).

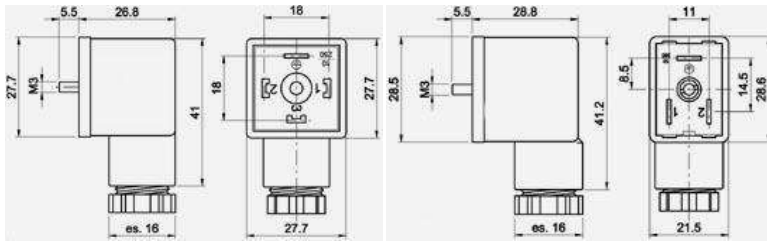
#### CONSTRUCTION

- Encapsulation:  
Class F: Fiber-Glass reinforced Nylon  
Class H: Fiber-Glass reinforced Polyester
- Magnetic circuit: Zinc-plated steel
- Windings: Class H insulated copper wires
- Ambient Temperature:  
Class F: -10°C +55°C  
Class H: -10°C +80°C

#### OPTIONS

- Special powers on request
- Special voltages on request

(\*) Available on request



Serie 413

Serie 412



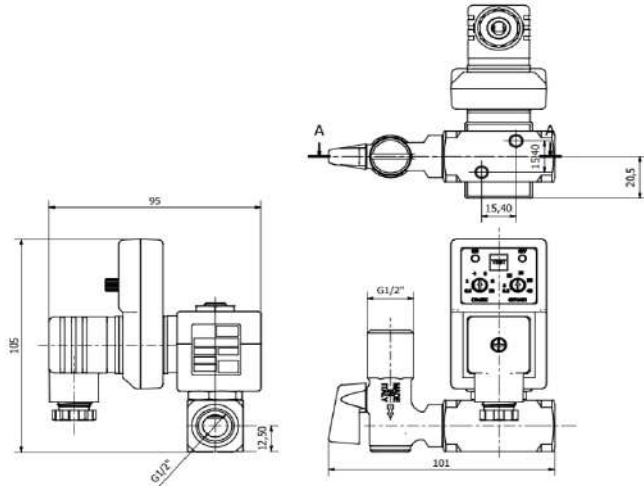
### Electrical plug Serie 412 / 413

SERIE	Part Number	Electrical connection	Contact Distance	Cable Gland
Serie 412	412 212 09C	Industrial Standard 22 mm EN 175301-803 (ex DIN 43650) Form B	11 mm	Pg.9
Serie 413	413 012 09C	EN 175301-803 (ex DIN 43650) Form A	18 mm	Pg.9

### DESCRIPTION

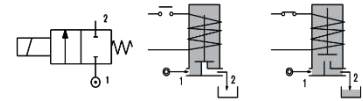
- Electrical plug for Solenoid Valves.
- Protection Class IP65
- Gland Size: PG9
- Electrical Connection: 2 + PE
- Working temperature: -40°C +90°C
- Voltage: AC/DC max. 250V
- Fixing Screw: M3 Central position
- Weight: 0,02Kg





**2/2 Serie R2SC Automatic Drain System**

CODE	Connection G ISO 228	Orifice mm	Kv m³/h	Differential Pressure (bar)			Coil		Seal FPM=V	Temp. Range °C
				Min	Max		Series	Width (mm)		
					AC	DC				
R2SCCDGV25/// Coil	G 1/2"	2.5	0.15	0	16	15	3000	30	-10 +160	
R2SCCDGV30/// Coil		3.0	0.25	0	15	10				
R2SCCDGV35/// Coil		3.5	0.32	0	10	8				
R2SCCDGV45/// Coil		4.5	0.41	0	6	4				
R2SCCDGV25/// Coil		2.5	0.15	0	35	32	3600	36		
R2SCCDGV30/// Coil		3.0	0.25	0	25	24				
R2SCCDGV35/// Coil		3.5	0.32	0	20	19				
R2SCCDGV45/// Coil		4.5	0.41	0	14	13				



**DESCRIPTION**

- Solenoid valve 2 ways, direct acting type.
- Manual ball valve with filter
- Timer: Ton 0.5-10 sec adjustable  
Toff 0.5-45 min adjustable
- Electric plug: R413 012 09C

**CONSTRUCTION**

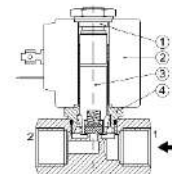
- Body: Brass CW614N
- Armature tube: Stainless steel Aisi 303
- Plunger and core: Stainless steel 430Fr
- Springs: Stainless steel Aisi 302
- Seal material: FPM

**FEATURES**

- Maximum allowable pressure: 45bar\*
- Maximum fluid viscosity: 27cSt (mm²/s)
- Ambient temperature: with class F coil -10°C +55°C
- Timer with LED indication for ON/OFF
- Timer power consumption 4mA
- Protection degree: IP65
- Universal mounting position

**OPTIONS**

- Electroless nickel plating
- Others on request



**SPARE PARTS**

1. Coil fixing nut
2. Coil
3. Mobile plunger assembly
4. Armature tube kit

SERIE	Coil P/N	Voltage	Nominal Power			Electrical connection	Connectors
			AC VA Inrush	AC VA Holding	DC Watt		
Series 3000 Width 30mm	3001	24DC	-	-	10	DIN 43650A	On Demand
	300B	24 AC	15	12	-		
	300E	230 AC	15	12	-		
Series 3600 Width 36mm	3601	24DC	-	-	24	DIN 43650A	On Demand
	360B	24 AC	30	24	-		
	360E	230 AC	30	24	-		

Other voltages on request